



OSCAR[®]
The lubricant professionals



Product Catalogue

Oscar Lubricants in Brief

Oscar Lubricants was established in 1998 with the primary focus of manufacturing and marketing of specialty lubricants, hydraulic brake fluids and automotive radiator coolants.

In 2005 the company started production of automotive, industrial and marine lubricants.

In 2010 we operated the first extension by doubling the plant plot area and adding more blending capacity.

In 2015 we inaugurated the first State of the Art lube oil blending plant implementing the latest technologies and enjoying international standards.

Today, we are housed in 17,000 square meters including covered warehouses of 13,000 square meters and laboratory areas of 500 square meters with an accommodation facility for 100 employees.

Our primary location has easy access to various ports in the UAE, enabling us to ship goods on urgent basis to various countries in the region.

The strength of Oscar Lubricants is its dedicated personnel to service our customers/partners round the clock, financial stability, product inventory and prompt delivery.

The plant is based in Ajman, while the Company Head Quarters is located in Business Bay, Dubai, United Arab Emirates, Oscar Lubricants is an ISO 9001:2015 certified company.



Technological Research Center The most comprehensive in the Middle East

With more than forty sophisticated laboratory instruments and highly motivated and specialized personnel, Oscar Lubricants laboratories are one of the best and most comprehensive research centers of the Middle East, implementing ASTM and other reputed international standards to carry tests on both ingoing and outgoing products; from base oils, to lubricating oil additives, to lubricants.

In 2015 we incorporated the R&D Centre under the legal and separate entity: Kimya Testing Laboratories (KTL). The company is under ISO 17025 Laboratory Competence Accreditation Process.



Why we recommend Oscar Lubricants

The transport industry is vital to modern society. Lubricants contribute by prolonging the life of vehicles by cleaning, cooling and protecting their engines.

During the last two decades, we have experienced an increase of engine performance, operating temperatures, fuel efficiency and environmental awareness. At the same time, we witnessed a demand of reduction in particle emission, friction, fuel consumption and operating cost.

Oscar Lubricants faces the challenge by delivering outstanding protection and engine life durability with a permanent respect of the environment. Our product portfolio is well designed to cover the increasing demand of modern vehicles.

Oscar Lubricants has consistently improved the performance of its passenger car and heavy duty lubricants through the development of our own unique type of synthetic base oil technology combined with innovative additive packages. We created a full range of lubricants that meet and exceed API performance levels, fulfill dedicated OEM approvals and answer the customer's needs.



Our Vision

Oscar Lubricants aims to play a key role in the Middle East in the development of high quality oil lubricant products portfolio with an adherence and respect to the green economy of the United Arab Emirates and the environment through employee training and the application of social and professional ethics.

Table of Content

Gasoline Engine Oil - Jade

Jade Perfo & Gold Plus

SAE	0W20	API SN	6
SAE	5W40	API SN	6

Jade Optimum

SAE	5W30	API SN	8
SAE	0W30	API SN	8

Jade Gold

SAE	0W20/5W20	API SN	9
SAE	0W30/5W30	API SN	9
SAE	0W40/5W40	API SN	9

Jade Pur

SAE	10W30	API SM	10
SAE	10W40	API SM	10

Jade Cobalt

SAE	10W30	API SL	11
SAE	10W40	API SL	11
SAE	15W40	API SL	11
SAE	20W50	API SL	11

Jade HD

SAE	15W40	API SF	12
SAE	20W50	API SF	12
SAE	40	API SF	12
SAE	50	API SF	12

Diesel Engine Oil - Zircon

Zircon Novus / Novus FE

SAE	10W30	API CK- 4	15
SAE	5W30	API FA- 4	15

Zircon Starlight XT

SAE	5W30/10W30	API CJ- 4	16
SAE	10W40 / 15W40	API CJ- 4	16

Zircon Starlight

SAE	5W30/10W30	API CI- 4	17
SAE	10W40 / 15W40	API CI- 4	17

Zircon XT

SAE	15W40	API CH- 4	18
SAE	20W50	API CH- 4	18

Zircon HD

SAE	15W40	API CF- 4	19
SAE	20W50	API CF- 4	19

Four Stroke Engine Oil - Jade 4T

Jade 4T JASO MA2

SAE	5W40	API SN	24
SAE	10W60	API SN	24

Table of Content

Jade 4T JASO MA2

SAE	10W40	API SN	25
SAE	20W50	API SL	25

Four Stroke Engine Oil - Jade 4T

Jade 4T JASO MA1

SAE	20W40	API SG	26
SAE	20W50	API SG	26

Jade 4T JASO MB

SAE	20W40	API SL	27
SAE	20W50	API SG	27

Two Stroke Engine Oil - Jade 2T

SAE	30	API TC JASO FC	28
Outboard		API NMMA TC-W3	28

Automatic Transmission Fluid

ATF	VI	29
ATF	III	29
ATF	II-D	29
ATF	Type A	29
ATF	CVT	30
ATF	DCT	30

Manual Transmission Fluid

SAE	90	API GL-5	31
SAE	140	API GL-5	31
SAE	85W-90/140	API GL-5	31
SAE	75W-90/140	API GL-5	31

Coolant/Antifreeze

CoolCar	100%	Concentrate	32
CoolCar	50%	Ready-to-use	32
CoolCar	33%	Ready-to-use	32

Brake Fluid

Oscar Brake Fluid	Dot 5.1	33
Oscar Brake Fluid	Dot 4	33
Oscar Brake Fluid	Dot 3	33

Grease

Oscar Grease	Proxy 2	34
Oscar Grease	Proxy 3	34
Oscar Grease	Proxy Complex EP2	34
Oscar Grease	Proxy Complex EP3	34

Hydra XP 35 - 36

Gem XP 37 - 38

Turbine & Compressor Oil 39

Soluble Cutting Fluid 40

Marine & Power Generation 41

Notes 42



OSCAR[®]
The lubricant professionals

THE LUBRICANT
PROFESSIONALS[™]

NEW



OUTSTANDING LSPI PROTECTION

OSCAR Jade **GOLD PLUS**

Oscar Jade Gold Plus Fully Synthetic SAE 0W20 is a resource conserving, multigrade gasoline engine oil formulated with synthetic base oils for use in passenger car and light truck engines requiring low viscosity, ILSAC GF-5 or API SN and GM's Dexos 1 Gen 2 specification.

Oscar Jade Gold Plus SAE 0W20 meets API SN Plus which is a supplemental oil category from the American Petroleum Institute (API). The oil formulations for API SN Plus are specifically designed to help prevent LSPI in TGD engines. API SN Plus represents an improvement on API SN, an oil category developed in 2010.

Specifications : API SN PLUS; API SN PLUS RESOURCE CONSERVING; API SM; API SL; API SJ; Ford WSS-M2C947-A; ILSAC GF-5; FORD WSS-M2C947-B1; dexos¹™ Gen 2; GM 6094M

TYPICAL PROPERTIES

Density @ 15°C, kg/l	ASTM D1298	0.841
Viscosity @ 100°C, cSt	ASTM D445	8.7
Viscosity @ 40°C, cSt	ASTM D445	45
Viscosity Index	ASTM D2270	173
Cold Crank Simulator, cP	ASTM D5293	6,200 @ -35 °C
HTHS Viscosity 150°C, mPa.s	—	2.7
Pour Point, °C	ASTM D97	-45
Flash Point, °C	ASTM D92	225
Total Base Number (TBN), KOH/g	ASTM D2896	9

AVAILABLE PACKS

1L, 4L, 5L, 20L, 25L, 208L, Bulk

OSCAR Jade **PERFO**

Oscar Jade Perfo is a fully synthetic engine oil for gasoline and diesel passenger's cars engines, particularly suitable for turbo compressed, multi-valve and direct injection diesel engines. Oscar Jade Perfo can be used in the most difficult operating conditions (motorways, dense urban traffic...), and is appropriated for all driving types. It is perfectly suited to engines with catalytic converters and all engines using lead free fuel or LPG. Its fluidity reduces friction and therefore creates significant fuel savings and reduces CO2 emissions. Especially adapted to long oil change intervals.

Specifications : API SN/CF, ACEA A3/B4; MB 229.5/226.5, BMW LL01, VW 502/505, 700/710, PSA B71 2296, Porsche A40

TYPICAL PROPERTIES

		0W40	5W40
Density @ 15°C, kg/l	ASTM D1298	0.847	0.855
Viscosity @ 100°C, cSt	ASTM D445	13	14.5
Viscosity @ 40°C, cSt	ASTM D445	75	90
Viscosity Index	ASTM D2270	176	≥172
Cold Crank Simulator, cP	ASTM D5293	<6,200 @ -35°C	<6,600 @ -30°C
Pour Point, °C	ASTM D97	-45	-39
Flash Point, °C	ASTM D92	>230	>230
Total Base Number (TBN), KOH/g	ASTM D2896	9	9

AVAILABLE PACKS

1L, 4L, 5L, 20L, 25L, 208L, Bulk



OSCAR LABELLING EXPLAINED

ACEA C2/C3

The Association des Constructeurs Européens d'Automobiles is in charge of oil performance and quality standards in the EU. C2/C3 is a common oil specification for petrol and diesel engines. Here's the full list:

- | | | |
|----------------------------|----------|--|
| PETROL | A | A1 Fuel economy petrol
A2 Standard performance level
A3 High performance and/or extended drain
A5 Fuel economy petrol with extended drain capability |
| DIESEL | B | B1 Fuel economy petrol
B2 Standard performance level
B3 High performance and/or extended drain
B4 Fuel economy petrol with extended drain capability
B5 Fuel economy petrol with extended drain capability |
| PETROL & DIESEL | C | Diesel vehicles with diesel particulate filter (DPF)
C1 Low SAPS (0.5% ash) fuel efficient
C2 Mid SAPS (0.8% ash) fuel efficient, performance
C3 Mid SAPS (0.8% ash) |
| DIESEL | E | Heavy - duty diesel
E1 Non-turbo charged light duty diesel
E2 Standard performance level
E3 High performance and extended drain
E5 High performance and extended drain including some API specs
E6 Euro 4 engines - low SAPS (sulphated ash, phosphorous, sulphur) for vehicles with DPF
E7 Euro 4 engines - exhaust after treatment / exhaust gas recirculation |

API SN

API stands for American Petroleum Institute, the body in charge of oil performance and quality standards in the US. Like the ACEA standards it includes specifications for both spark ('S') petrol engines and compression ('C') diesel engines. SN is the latest specification for petrol engines, introduced in 2010. Diesel classifications are more complex. The CJ4 specification, introduced in 2006, is designed for modern emission control and particulate filter systems.

MANUFACTURERS OEM CODES

Some manufacturers quote OEM approval codes to help consumers buy oil of the right type and quality of their vehicle, notably German Makers BMW and VW. If your vehicle has an OEM approval code, look for it when you buy oils for example:

- BMW LL-04
- PSA B71 2132
- VW501.01-505.00
- RENAULT RN0700
- FORD M2C917 - A



5W30

New engines are built with very fine manufacturing tolerances which demand a low-viscosity oil. These oils are often more expensive synthetic types.

In order to protect the engine components when is car both hot and cold, engine oil has to meet viscosity specifications across a range of temperature. 'Viscosity' is the oil's 'pourability' or 'thickness'. This viscosity is measured and given an SAE 'grade'. Ordinary single-grade oil becomes so viscous (thick) at lower temperatures that it would take too long to reach moving parts in a cold engine and would not process easily through small gaps and oil ways. This is why all modern engine oils use Vis - Viscosity Enhancers - to improve their viscosity at lower temperatures. These 'multigrade' oils get a regular viscosity test at 100 degrees Centigrade, and a second low-temperature 'winter' (W) test. Multigrade oils quote the 'W' (winter) figure first and the higher-temperature figure seconds. The lower the 'W' number the 'runnier' the oil is at low temperatures and the better the protection it offers, the higher the second figure, the thicker the oil is at high temperatures, which can be good for older engines

Engine in older cars, or those with higher mileages, have lower operating tolerances and may benefit from a thicker oil

MINERAL SYNTHETIC



Mineral oil sounds like it should be synthetic too (minerals aren't organic, after all), but the name comes from the way it's extracted from the earth like other mineral deposits. It's 'cruder' than synthetic oil, but also a lot cheaper to manufacture, and it can still provide perfectly adequate protection for less demanding engines

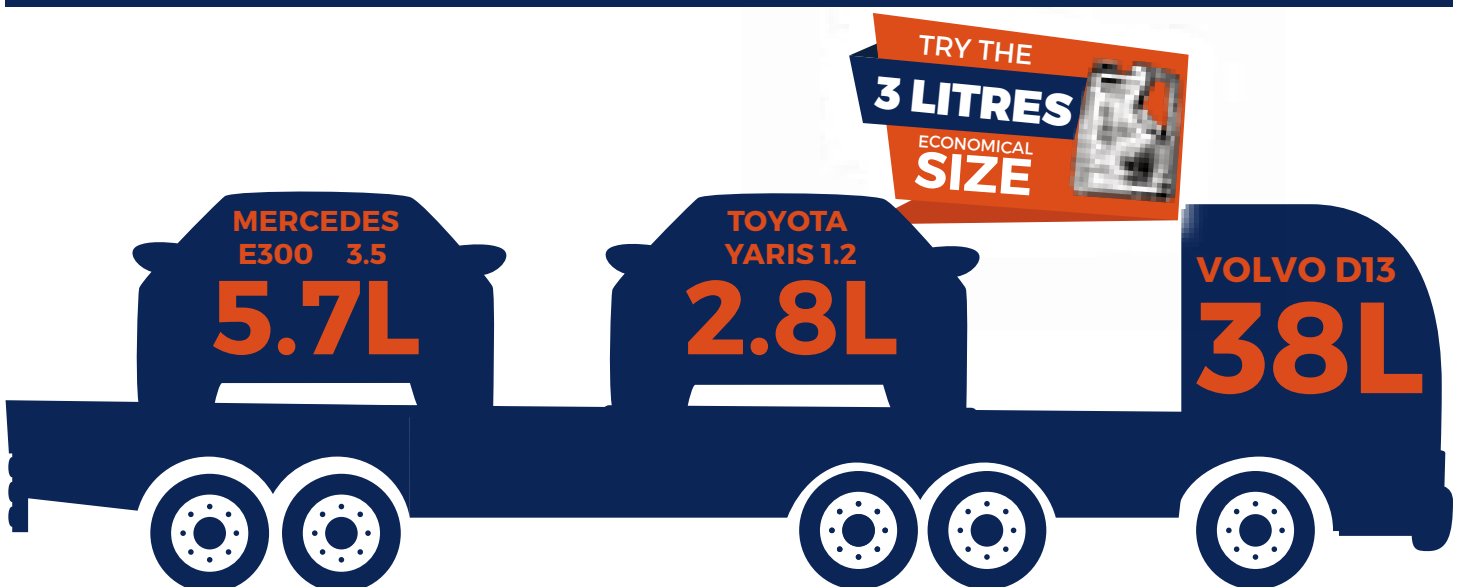
Synthetic motor oil is the pinnacle of engine lubrication for high performance vehicles. Despite the name, though, synthetic oil is still derived from the thick black stuff ejected by oil wells; the difference is that its molecular structure and properties are modified, refined and 'synthesised' using complex laboratory



SAE GRADES ARE SOMETIMES RELATED TO OUTSIDE TEMPERATURE



OIL SUMP CAPACITY FOR DIFFERENT VEHICLES IN LITRES



OSCAR JADE OPTIMUM



Oscar Jade Optimum is a very high performance, fully synthetic LOW SAPS lubricant for gasoline and diesel engines, including the ones complying with EURO V standard. Oscar Jade Optimum is formulated to reduce pollutant emissions, such as HC, NOx, CO and particles and to protect and ensure longevity of post treatment anti-pollution systems, such as particulate filters (GPF, DPF) and three-way catalysts. Oscar Jade Optimum also helps to lengthen the engine life thanks to its excellent resistance to temperature variations and permits an extra-long oil change intervals.

This product meets or exceeds the requirements of the latest API and ACEA industry specifications for petrol engine oils, as well as the requirements of many major American, and European engine manufacturers.



NEW



SPECIFICATION

API SN/CF, ACEA C5, Jaguar Land Rover 51.5122; MB-Approval 229.71; Porsche C20; VW 508 00; VW 509 00

TYPICAL PROPERTIES

Density @ 15°C, kg/l	ASTM D1298	0.837
Viscosity @ 100°C, cSt	ASTM D445	8.1
Viscosity @ 40°C, cSt	ASTM D445	40
Viscosity Index	ASTM D2270	183
Cold Crank Simulator, cP	ASTM D5293	6,200 @ -35 °C
HTHS Viscosity 150°C, mPa.s	—	2.7
Pour Point, °C	ASTM D97	-50
Flash Point, °C	ASTM D92	230
Total Base Number (TBN), KOH/g	ASTM D2896	8

AVAILABLE PACKS

1L, 4L, 5L, 20L, 25L, 208L, Bulk

SPECIFICATION

API SN, ACEA C2/C3, MB 229.31/51/52, dexos™2, PSA B71 2290, VW 504 00; VW 507 00

TYPICAL PROPERTIES

Density @ 15°C, kg/l	ASTM D1298	0.850
Viscosity @ 100°C, cSt	ASTM D445	12.1
Viscosity @ 40°C, cSt	ASTM D445	72.8
Viscosity Index	ASTM D2270	164
Cold Crank Simulator, cP	ASTM D5293	6,600 @ -30 °C
HTHS Viscosity 150°C, mPa.s	—	3.58
Pour Point, °C	ASTM D97	-45
Flash Point, °C	ASTM D92	254
Total Base Number (TBN), KOH/g	ASTM D2896	8

AVAILABLE PACKS

1L, 4L, 5L, 20L, 25L, 208L, Bulk



OSCAR JADE GOLD

Oscar Jade Gold is a fully synthetic engine oil for gasoline and diesel passenger's cars engines, particularly suitable for turbo compressed, multi-valve and direct injection diesel engines. Oscar Jade Gold can be used in the most difficult operating conditions (motorways, dense urban traffic...), and is appropriated for all driving types. It is perfectly suited to engines with catalytic converters and all engines using lead free fuel or LPG. Its fluidity reduces friction and therefore creates significant fuel savings and reduces CO2 emissions. Especially adapted to long oil change intervals.

This product meets or exceeds the requirements of the latest API and ACEA industry specifications for petrol engine oils, as well as the requirements of many major American, and European engine manufacturers.



SPECIFICATION

API SN, ACEA A1/B1, Ford, Chrysler MS-6395, Toyota, Honda, Jaguar, Land Rover STJLR.03.5004

TYPICAL PROPERTIES

		0W20	5W20
Density @ 15°C, kg/l	ASTM D1298	0,850	0,850
Viscosity @ 100°C, cSt	ASTM D445	7,5	6,5
Viscosity @ 40°C, cSt	ASTM D445	40	36
Viscosity Index	ASTM D2270	158	≥140
Cold Crank Simulator, cP	ASTM D5293	<6,200 @ -35°C	<6,200 @ -35°C
Pour Point, °C	ASTM D97	-45	-36
Flash Point, °C	ASTM D92	>230	>230
Total Base Number (TBN), KOH/g	ASTM D2896	9	9

AVAILABLE PACKS

1L, 4L, 5L, 20L, 25L, 208L, Bulk



SPECIFICATION

API SN/CF, ACEA A3/B4 MB 229.5/226.5, BMW LL01, VW 502/505RN 700/710, PSA B71 2296, Porsche A40

TYPICAL PROPERTIES

		0W30	5W30
Density @ 15°C, kg/l	ASTM D1298	0,850	0,854
Viscosity @ 100°C, cSt	ASTM D445	12	10,5
Viscosity @ 40°C, cSt	ASTM D445	68,5	60
Viscosity Index	ASTM D2270	170	≥150
Cold Crank Simulator, cP	ASTM D5293	<6,200 @ -35°C	<6,600 @ -30°C
Pour Point, °C	ASTM D97	-45	-36
Flash Point, °C	ASTM D92	>230	>230
Total Base Number (TBN), KOH/g	ASTM D2896	9	9

AVAILABLE PACKS

1L, 4L, 5L, 20L, 25L, 208L, Bulk



SPECIFICATION

API SN/CF, ACEA A3/B4 MB 229.5/226.5, BMW LL01, VW 502/505RN 700/710, PSA B71 2296, Porsche A40

TYPICAL PROPERTIES

		0W40	5W40
Density @ 15°C, kg/l	ASTM D1298	0,847	0,855
Viscosity @ 100°C, cSt	ASTM D445	13	14,5
Viscosity @ 40°C, cSt	ASTM D445	75	90
Viscosity Index	ASTM D2270	176	≥172
Cold Crank Simulator, cP	ASTM D5293	<6,200 @ -35°C	<6,600 @ -30°C
Pour Point, °C	ASTM D97	-45	-39
Flash Point, °C	ASTM D92	>230	>230
Total Base Number (TBN), KOH/g	ASTM D2896	9	9

AVAILABLE PACKS

1L, 4L, 5L, 20L, 25L, 208L, Bulk



**SYNTHETIC
TECHNOLOGY**

**FUEL
ECONOMY**



Jade Pur - 10W30

Jade Pur SAE 10W30 is a synthetic technology engine oil developed for the most recent requirement of gasoline passenger engines. It meets all current industry standard requirements of domestic car makers recommending SAE 10W30.

Features

Jade Pur SAE 10W30 Can be used under the most difficult operating conditions (highways, congested city traffic, etc.) for every season. Jade Pur SAE 10W30 provides excellent oxidation stability, low temperature flow properties, enhanced fuel economy and extended drain.

SPECIFICATION

API SM; ACEA A3/B4

TYPICAL PROPERTIES

Density @ 15°C, kg/l	ASTM D1298	0.870
Viscosity @ 100°C, cSt	ASTM D445	10.5
Viscosity @ 40°C, cSt	ASTM D445	69
Viscosity Index	ASTM D2270	143
Cold Crank Simulator, cP	ASTM D5293	<7,000 @ -25 °C
Pour Point, °C	ASTM D97	-33
Flash Point, °C	ASTM D92	>230
Total Base Number (TBN), KOH/g	ASTM D2896	9

AVAILABLE PACKS

1L, 4L, 5L, 20L, 25L, 208L, Bulk



Jade Pur - 10W40

Jade Pur SAE 10W40 is a high performance engine oil developed for the most recent requirement of gasoline passenger engines. Recommended for all petrol engines (multi-valve and turbo types) and all diesel engines, turbo-charged or naturally aspirated in cars and light vans.

Features

Jade Pur SAE 10W40 can be used under the most difficult operating conditions (highways, congested city traffic, etc.) for every season. Jade Pur SAE 10W40 provides excellent oxidation stability, low temperature flow properties, enhanced fuel economy and extended drain.

SPECIFICATION

API SM; ACEA A3/B4

TYPICAL PROPERTIES

Density @ 15°C, kg/l	ASTM D1298	0.874
Viscosity @ 100°C, cSt	ASTM D445	14.5
Viscosity @ 40°C, cSt	ASTM D445	97
Viscosity Index	ASTM D2270	160
Cold Crank Simulator, cP	ASTM D5293	<7,000 @ -25 °C
Pour Point, °C	ASTM D97	-25
Flash Point, °C	ASTM D92	230
Total Base Number (TBN), KOH/g	ASTM D2896	10

AVAILABLE PACKS

1L, 4L, 5L, 20L, 25L, 208L, Bulk





Jade Cobalt - 10W30

Jade Cobalt SAE 10W30 is a high performance engine oil developed for the most recent requirement of gasoline passenger engines. Recommended for all petrol engines (multi-valve and turbo types) and all diesel engines, turbo-charged or naturally aspirated in cars and light vans.

Features

Jade Cobalt SAE 10W30 can be used under the most difficult operating conditions (highways, congested city traffic, etc.) for every season. Jade Cobalt SAE 10W30 provides excellent oxidation stability, low temperature flow properties, enhanced fuel economy and extended drain.

SPECIFICATION

API SL / CF; ACEA A3/B4

TYPICAL PROPERTIES

Density @ 15°C, kg/l	ASTM D1298	0.870
Viscosity @ 100°C, cSt	ASTM D445	11.5
Viscosity @ 40°C, cSt	ASTM D445	76
Viscosity Index	ASTM D2270	140
Cold Crank Simulator, cP	ASTM D5293	<7,000 @ -25 °C
Pour Point, °C	ASTM D97	-30
Flash Point, °C	ASTM D92	220
Total Base Number (TBN), KOH/g	ASTM D2896	10

AVAILABLE PACKS

1L, 4L, 5L, 20L, 25L, 208L, Bulk



Jade Cobalt SAE 10W40 is a high performance engine oil developed for the most recent requirement of gasoline passenger engines. Recommended for all petrol engines (multi-valve and turbo types) and all diesel engines, turbo-charged or naturally aspirated in cars and light vans.

Jade Cobalt SAE 10W40 can be used under the most difficult operating conditions (highways, congested city traffic, etc.) for every season. Jade Cobalt SAE 10W40 provides excellent oxidation stability, low temperature flow properties, enhanced fuel economy and extended drain.

SPECIFICATION

API SL / CF; ACEA A3/B4

TYPICAL PROPERTIES

Density @ 15°C, kg/l	ASTM D1298	0.874
Viscosity @ 100°C, cSt	ASTM D445	14.5
Viscosity @ 40°C, cSt	ASTM D445	97
Viscosity Index	ASTM D2270	160
Cold Crank Simulator, cP	ASTM D5293	<7,000 @ -25 °C
Pour Point, °C	ASTM D97	-25
Flash Point, °C	ASTM D92	230
Total Base Number (TBN), KOH/g	ASTM D2896	10

AVAILABLE PACKS

1L, 4L, 5L, 20L, 25L, 208L, Bulk



Jade Cobalt - 15W40

Jade Cobalt SAE 15W40 is a high performance engine oil developed for the most recent requirement of gasoline passenger engines. Recommended for all petrol engines (multi-valve and turbo types) and all diesel engines, turbo-charged or naturally aspirated in cars and light vans.

Jade Cobalt SAE 15W40 can be used under the most difficult operating conditions (highways, congested city traffic, etc.) for every season. Jade Cobalt SAE 15W40 provides excellent oxidation stability, low temperature flow properties, enhanced fuel economy and extended drain.

SPECIFICATION

API SL / CF; ACEA A3/B4

TYPICAL PROPERTIES

Density @ 15°C, kg/l	ASTM D1298	0.889
Viscosity @ 100°C, cSt	ASTM D445	15.8
Viscosity @ 40°C, cSt	ASTM D445	122
Viscosity Index	ASTM D2270	135
Cold Crank Simulator, cP	ASTM D5293	<7,000 @ -20 °C
Pour Point, °C	ASTM D97	-27
Flash Point, °C	ASTM D92	230
Total Base Number (TBN), KOH/g	ASTM D2896	10

AVAILABLE PACKS

1L, 4L, 5L, 20L, 25L, 208L, Bulk



Jade Cobalt - 20W50

Jade Cobalt SAE 20W50 is a high performance engine oil developed for the most recent requirement of gasoline passenger engines. Recommended for all petrol engines (multi-valve and turbo types) and all diesel engines, turbo-charged or naturally aspirated in cars and light vans.

Jade Cobalt SAE 20W50 can be used under the most difficult operating conditions (highways, congested city traffic, etc.) for every season. Jade Cobalt SAE 20W50 provides excellent oxidation stability, low temperature flow properties, enhanced fuel economy and extended drain.

SPECIFICATION

API SL / CF; ACEA A3/B4

TYPICAL PROPERTIES

Density @ 15°C, kg/l	ASTM D1298	0.890
Viscosity @ 100°C, cSt	ASTM D445	18.5
Viscosity @ 40°C, cSt	ASTM D445	160
Viscosity Index	ASTM D2270	132
Cold Crank Simulator, cP	ASTM D5293	<9,500 @ -15 °C
Pour Point, °C	ASTM D97	-27
Flash Point, °C	ASTM D92	235
Total Base Number (TBN), KOH/g	ASTM D2896	10

AVAILABLE PACKS

1L, 4L, 5L, 20L, 25L, 208L, Bulk





Jade HD - 15W40

Jade HD SAE 15W40 is a multi-functional mineral engine oil for older gasoline, diesel and LPG engines of passenger car and light vans with or without turbo compressor. Not suited for engines equipped with a Diesel Particle Filter (DPF).

Features

Jade HD SAE 15W40 can be used under the most difficult operating conditions (highways, congested city traffic, etc.) for every season. Jade HD SAE 15W40 provides good oxidation stability and good detergency properties.

SPECIFICATION

API SF / CF, ACEA A1/B1

TYPICAL PROPERTIES

Density @ 15°C, kg/l	ASTM D1298	0.880
Viscosity @ 100°C, cSt	ASTM D445	14.5
Viscosity @ 40°C, cSt	ASTM D445	105
Viscosity Index	ASTM D2270	135
Cold Crank Simulator, cP	ASTM D5293	<7,000 @ -20 °C
Pour Point, °C	ASTM D97	-33
Flash Point, °C	ASTM D92	220
Total Base Number (TBN), KOH/g	ASTM D2896	10

AVAILABLE PACKS

1L, 4L, 5L, 20L, 25L, 208L, Bulk



Jade HD - 20W50

Jade HD SAE 20W50 is a multi-functional mineral engine oil for older gasoline, diesel and LPG engines of passenger car and light vans with or without turbo compressor. Not suited for engines equipped with a Diesel Particle Filter (DPF).

Features

Jade HD SAE 20W50 can be used under the most difficult operating conditions (highways, congested city traffic, etc.) for every season. Jade HD SAE 20W50 provides good oxidation stability and good detergency properties.

SPECIFICATION

API SF / CF, ACEA A1/B1

TYPICAL PROPERTIES

Density @ 15°C, kg/l	ASTM D1298	0.890
Viscosity @ 100°C, cSt	ASTM D445	17.8
Viscosity @ 40°C, cSt	ASTM D445	144
Viscosity Index	ASTM D2270	136
Cold Crank Simulator, cP	ASTM D5293	<9,500 @ -15 °C
Pour Point, °C	ASTM D97	-33
Flash Point, °C	ASTM D92	220
Total Base Number (TBN), KOH/g	ASTM D2896	10

AVAILABLE PACKS

1L, 4L, 5L, 20L, 25L, 208L, Bulk



Jade HD - SAE 40

Jade HD SAE 40 is a multi-functional mono-grade mineral engine oil for older gasoline, diesel and LPG engines of passenger car and light vans with or without turbo compressor. Not suited for engines equipped with a Diesel Particle Filter (DPF).

Features

Jade HD SAE 40 can be used under the most difficult operating conditions (highways, congested city traffic, etc.) for every season. Jade HD SAE 40 provides good oxidation stability and good detergency properties.

SPECIFICATION

API SF / CF, ACEA A1/B1

TYPICAL PROPERTIES

Density @ 15°C, kg/l	ASTM D1298	0.898
Viscosity @ 100°C, cSt	ASTM D445	16.1
Viscosity @ 40°C, cSt	ASTM D445	162
Viscosity Index	ASTM D2270	102
Pour Point, °C	ASTM D97	-22
Flash Point, °C	ASTM D92	226
Total Base Number (TBN), KOH/g	ASTM D2896	10

AVAILABLE PACKS

1L, 4L, 5L, 20L, 25L, 208L, Bulk



Jade HD - SAE 50

Jade HD SAE 50 is a multi-functional mono-grade mineral engine oil for older gasoline, diesel and LPG engines of passenger car and light vans with or without turbo compressor. Not suited for engines equipped with a Diesel Particle Filter (DPF).

Features

Jade HD SAE 50 can be used under the most difficult operating conditions (highways, congested city traffic, etc.) for every season. Jade HD SAE 50 provides good oxidation stability and good detergency properties.

SPECIFICATION

API SF / CF, ACEA A1/B1

TYPICAL PROPERTIES

Density @ 15°C, kg/l	ASTM D1298	0.890
Viscosity @ 100°C, cSt	ASTM D445	19.9
Viscosity @ 40°C, cSt	ASTM D445	202
Viscosity Index	ASTM D2270	113
Pour Point, °C	ASTM D97	-25
Flash Point, °C	ASTM D92	248
Total Base Number (TBN), KOH/g	ASTM D2896	10

AVAILABLE PACKS

1L, 4L, 5L, 20L, 25L, 208L, Bulk



OSCAR PRODUCTS USE EXPLAINED

Engine Oil



Oscar Jade[®] Optimum
SAE 0W30, 5W30
API SN

Oscar Jade[®] Gold
SAE 0W40, 5W40-0W30, 5W30-0W20, 5W20
API SN

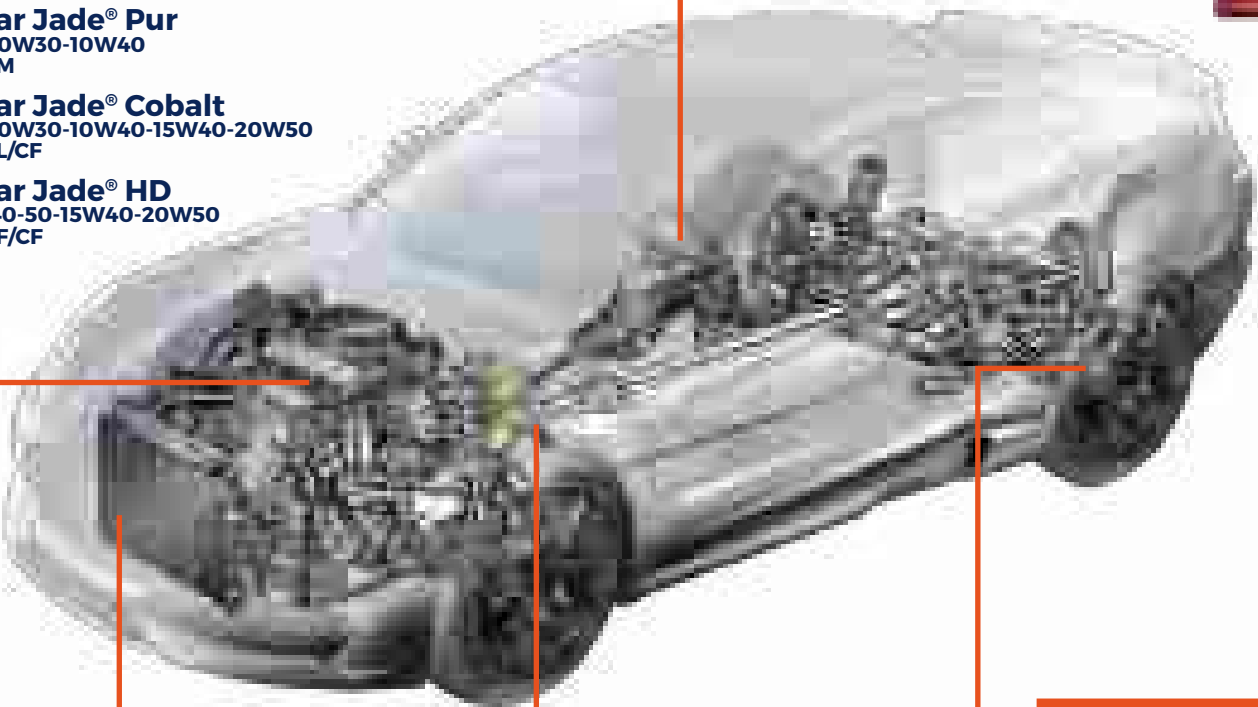
Oscar Jade[®] Pur
SAE 10W30-10W40
API SM

Oscar Jade[®] Cobalt
SAE 10W30-10W40-15W40-20W50
API SL/CF

Oscar Jade[®] HD
SAE 40-50-15W40-20W50
API SF/CF

ATF

Oscar ATF III
Fully Synthetic



Brake Fluid

Oscar Brake Fluid
DOT 3
DOT 4



CVT

Oscar CVT
Fully Synthetic



Coolant

Oscar Coolcar[®]
50%
Oscar Coolcar[®]
33%





OSCAR®
The lubricant professionals



**TRUST THE
PROFESSIONALS**

FOR LATEST GENERATION ENGINES



OSCAR ZIRCON *NOVUS*

Oscar Zircon Novus CK-4 is an advanced fully synthetic heavy-duty diesel engine oil that helps extend engine life while providing long drain capability and potential fuel economy for modern diesel engines operating in severe applications. This product is formulated to deliver exceptional performance in modern and older hard-working engines. Oscar Zircon Novus is formulated to reduce pollutant emissions, such as HC, NOx, CO and particles and to protect and ensure longevity of post treatment anti-pollution systems, such as particulate filters (GPF, DPf) and three-way catalysts.

Oscar Zircon Novus CK-4 oils replace CJ-4 oils with the same viscosity grades and oil types (mineral / semi-synthetic / full-synthetic) and are backwards compatible down to CF-4 oils

This product meets or exceeds the requirements of the latest API and ACEA industry specifications for diesel engine oils, as well as the requirements of many major American, and European engine manufacturers.

Available in SAE viscosity grades : 5W30, 10W30, 10W40 and 15W40

Specifications : API CK-4/SN ; E6/E9/E7-16; 228.51; M3477; MTU 3.1; DQC IV-10LA; ECF-3 ; VDS 4.5 ; VDS 4 ; CES 20081 ; CES 20086 ; DDC 93K222 ; M3677 & Scania in progress.




EXTRA FUEL ECONOMY



OSCAR ZIRCON *NOVUS FE*

Oscar Zircon Novus FE FA-4 is an advanced fully synthetic heavy-duty diesel engine oil. It is lower in viscosity grades to help maximize fuel economy without compromising durability for next generation engines. However, **Oscar Zircon Novus FE FA-4 is limited in backwards compatibility.** Designed to provide optimized fuel economy for 2017 engines and beyond that are designed to capitalize on these improvements.

This product meets or exceeds the requirements of the latest API and ACEA industry specifications for diesel engine oils, as well as the requirements of many major American, and European engine manufacturers.

Available in SAE viscosity grades : 5W30 and 10W30

Specifications : API FA-4 ; CES 20087 ; DDC 93K223



OSCAR ZIRCON *STARLIGHT XT*

Oscar Zircon Starlight XT is an extra high-performance diesel engine oil that helps extend engine life in the most severe on and off-highway applications while delivering outstanding performance in modern, high-output, low-emission engines including those with Exhaust Gas Recirculation (EGR) and After-treatment Systems with Diesel Particulate Filters (DPFs) and Diesel Oxidation Catalysts (DOCs). Recommended for use in a wide range of heavy-duty applications and operating environments found in the on-road transport and off-road mining, forestry, construction, and agricultural industries.

This product meets or exceeds the requirements of the latest API and ACEA industry specifications for diesel engine oils, as well as the requirements of many major American, and European engine manufacturers.



SPECIFICATION

API CJ-4, CI-4 PLUS, CI-4, CH-4, CG-4, CF-4, CF ; API SM, SL, SJ, SH, SG, SF ; ACEA E7/E9 ; Recommended for use in Caterpillar, Cummins, Detroit Diesel, Mack, Volvo, Scania, Renault, Iveco and many diesel engines.

TYPICAL PROPERTIES

		5W30	10W30
Density @ 15°C, kg/l	ASTM D1298	0.854	0.854
Viscosity @ 100°C, cSt	ASTM D445	12	10.5
Viscosity @ 40°C, cSt	ASTM D445	68.5	60
Viscosity Index	ASTM D2270	170	≥150
Cold Crank Simulator, cP	ASTM D5293	<6,200 @ -35°C	<6,600 @ -30°C
Pour Point, °C	ASTM D97	-45	-36
Flash Point, °C	ASTM D92	>230	>230
Total Base Number (TBN), KOH/g	ASTM D2896	9	9

AVAILABLE PACKS

1L, 4L, 5L, 20L, 25L, 208L, Bulk

SPECIFICATION

API CJ-4, CI-4 PLUS, CI-4, CH-4, CG-4, CF-4, CF ; API SM, SL, SJ, SH, SG, SF ; ACEA E7/E9 ; Recommended for use in Caterpillar, Cummins, Detroit Diesel, Mack, Volvo, Scania, Renault, Iveco and many diesel engines.

TYPICAL PROPERTIES

		10W40	15W40
Density @ 15°C, kg/l	ASTM D1298	0.854	0.854
Viscosity @ 100°C, cSt	ASTM D445	12	10.5
Viscosity @ 40°C, cSt	ASTM D445	68.5	60
Viscosity Index	ASTM D2270	170	≥150
Cold Crank Simulator, cP	ASTM D5293	<6,200 @ -35°C	<6,600 @ -30°C
Pour Point, °C	ASTM D97	-45	-36
Flash Point, °C	ASTM D92	>230	>230
Total Base Number (TBN), KOH/g	ASTM D2896	9	9

AVAILABLE PACKS

1L, 4L, 5L, 20L, 25L, 208L, Bulk





Oscar Zircon Starlight is a high performance lubricant used in on-road diesel technology. It is recommended for Euro 3, and previous engines of most European and American manufacturers. It is also adapted to Euro 5 and previous engines of some manufacturers with appropriate oil drain intervals. Contains excellent viscosity stability in service, guaranteeing effective engine lubrication in severe conditions. Outstanding detergent, dispersant and anti-wear properties keep the engine clean and enable efficient control of soot, sludge and piston deposits. Recommended for use in a wide range of heavy-duty applications and operating environments found in the on-road transport and off-road mining, forestry, construction and agricultural industries.



SPECIFICATION

ACEA E7-12 (2012); ACEA A3/B4-12 (2012) ; API CI-4 ; API CH-4 ; API CG-4; API CF-4; API CF; API SL; MB-Approval 228.3; MB-Approval 229.1; Volvo VDS-3; Renault Truck RLD-2; Mack EO-N; Mack EO-M Plus; MAN M 3275; Cummins CES 20076; Cummins CES 20077; Cummins CES 20078; CAT ECF-2; CAT ECF-1-a; MTU Type 2; Deutz DQC III-10 ;Detroit Diesel DDC 93K215; Global DHD-1

TYPICAL PROPERTIES

		5W30	10W30
Density @ 15°C, kg/l	ASTM D1298	0.854	0.868
Viscosity @ 100°C, cSt	ASTM D445	12	-
Viscosity @ 40°C, cSt	ASTM D445	68.5	83
Viscosity Index	ASTM D2270	170	142
Cold Crank Simulator, cP	ASTM D5293	<6,200 @ -35°C	<7,000 @ -25°C
Pour Point, °C	ASTM D97	-45	-30
Flash Point, °C	ASTM D92	>230	>210
Total Base Number (TBN), KOH/g	ASTM D2896	9	10

AVAILABLE PACKS

1L, 4L, 5L, 20L, 25L, 208L, Bulk



SPECIFICATION

ACEA E7-12 (2012); ACEA A3/B4-12 (2012) ; API CI-4 ; API CH-4 ; API CG-4; API CF-4; API CF; API SL; MB-Approval 228.3; MB-Approval 229.1; Volvo VDS-3; Renault Truck RLD-2; Mack EO-N; Mack EO-M Plus; MAN M 3275; Cummins CES 20076; Cummins CES 20077; Cummins CES 20078; CAT ECF-2; CAT ECF-1-a; MTU Type 2; Deutz DQC III-10 ;Detroit Diesel DDC 93K215; Global DHD-1

TYPICAL PROPERTIES

		10W40	15W40
Density @ 15°C, kg/l	ASTM D1298	0.866	0.875
Viscosity @ 100°C, cSt	ASTM D445	13.5	15.7
Viscosity @ 40°C, cSt	ASTM D445	89	120
Viscosity Index	ASTM D2270	150	140
Cold Crank Simulator, cP	ASTM D5293	<7,000 @ -25°C	<7,000 @ -20°C
Pour Point, °C	ASTM D97	-36	-34
Flash Point, °C	ASTM D92	225	220
Total Base Number (TBN), KOH/g	ASTM D2896	15	11

AVAILABLE PACKS

1L, 4L, 5L, 20L, 25L, 208L, Bulk





Zircon XT

Zircon XT SAE 40 /15W40 is a heavy duty diesel engine oil recommended for turbo-charged and non-turbo-charged engines under normal conditions. Suitable for many heavy duty engines. It meets all current industry standard requirements of major engine makers recommending SAE 40 /15W40 and API CH-4.

Features

Zircon HD SAE XT 40 / 15W40 can be used in older trucks and buses as well as for cost effective lubrication in off-highway applications such as agricultural tractors.

Zircon HD SAE XT 40 / 15W40 provides excellent protection against piston deposits controls engine wear, gives long engine life, maintains engine power and efficiency and lowers servicing costs.

SPECIFICATION

ACEA E7-12 (2012) API CI-4 API CH-4 API CG-4 ; API CF-4 API CF API SL MB-Approval 228.3 ; Volvo VDS-3 Renault Truck RLD-2 Mack EO-N Mack EO-M Plus ;MAN M 3275 Cummins CES 20076 Cummins CES 20077 Cummins CES 20078;CAT ECF-1-a CAT ECF-2 MTU Type 2 Deutz DQC III-10 ; Detroit Diesel DDC 93K215 Global DHD-1

TYPICAL PROPERTIES

Density @ 15°C, kg/l	ASTM D1298	0.846
Viscosity @ 100°C, cSt	ASTM D445	12.1
Viscosity @ 40°C, cSt	ASTM D445	72.8
Viscosity Index	ASTM D2270	164
Cold Crank Simulator, cP	ASTM D5293	6,600 @ -30 °C
Pour Point, °C	ASTM D97	-45
Flash Point, °C	ASTM D92	254
Total Base Number (TBN), KOH/g	ASTM D2896	8

AVAILABLE PACKS

1L, 4L, 5L, 20L, 25L, 208L, Bulk



Zircon XT

Zircon XT SAE 50 /20W50 is a heavy duty diesel engine oil recommended for turbo-charged and non-turbo-charged engines under normal conditions. Suitable for many heavy duty engines. It meets all current industry standard requirements of major engine makers recommending SAE 50 /20W50 and API CH-4.

Features

Zircon XT SAE 50 / 20W50 can be used in older trucks and buses as well as for cost effective lubrication in off-highway applications such as agricultural tractors.

Zircon XT SAE 50 / 20W50 provides excellent protection against piston deposits controls engine wear, gives long engine life, maintains engine power and efficiency and lowers servicing costs.

SPECIFICATION

ACEA E7-12 (2012) API CI-4 API CH-4 API CG-4 ; API CF-4 API CF API SL MB-Approval 228.3 ; Volvo VDS-3 Renault Truck RLD-2 Mack EO-N Mack EO-M Plus ;MAN M 3275 Cummins CES 20076 Cummins CES 20077 Cummins CES 20078;CAT ECF-1-a CAT ECF-2 MTU Type 2 Deutz DQC III-10 ; Detroit Diesel DDC 93K215 Global DHD-1

TYPICAL PROPERTIES

Density @ 15°C, kg/l	ASTM D1298	0.846
Viscosity @ 100°C, cSt	ASTM D445	12.1
Viscosity @ 40°C, cSt	ASTM D445	72.8
Viscosity Index	ASTM D2270	164
Cold Crank Simulator, cP	ASTM D5293	6,600 @ -30 °C
Pour Point, °C	ASTM D97	-45
Flash Point, °C	ASTM D92	254
Total Base Number (TBN), KOH/g	ASTM D2896	8

AVAILABLE PACKS

1L, 4L, 5L, 20L, 25L, 208L, Bulk





Zircon HD

Zircon HD SAE 40/15W40 is a heavy duty diesel engine oil recommended for turbo-charged and non-turbo-charged engines under normal conditions. Suitable for many heavy duty engines. It meets all current industry standard requirements of major engine makers recommending SAE 40/15W40 and API CF-4.

Features

Zircon HD SAE 40/15W40 can be used in older trucks and buses as well as for cost effective lubrication in off-highway applications such as agricultural tractors.

Zircon HD SAE 40/15W40 provides excellent protection against piston deposits controls engine wear, gives long engine life, maintains engine power and efficiency and lowers servicing costs.

SPECIFICATION

API CF-4, CF-2, CF, Recommended for use in Caterpillar, Cummins, Detroit Diesel, Mack, Volvo, Scania, Renault, Iveco and many diesel engines.

TYPICAL PROPERTIES

		40	15W40
Density @ 15°C, kg/l	ASTM D1298	0.901	0.885
Viscosity @ 100°C, cSt	ASTM D445	14.5	14.5
Viscosity @ 40°C, cSt	ASTM D445	140	100
Viscosity Index	ASTM D2270	103	135
Cold Crank Simulator, cP	ASTM D5293	-	<7,000 @ -30 °C
Pour Point, °C	ASTM D97	-20	-25
Flash Point, °C	ASTM D92	>220	220
Total Base Number (TBN), KOH/g	ASTM D2896	13	13

AVAILABLE PACKS

1L, 4L, 5L, 20L, 25L, 208L, Bulk

Zircon HD

Zircon HD SAE 50/20W50 is a heavy duty diesel engine oil recommended for turbo-charged and non-turbo-charged engines under normal conditions. Suitable for many heavy duty engines. It meets all current industry standard requirements of major engine makers recommending SAE 50/20W50 and API CF-4.

Features

Zircon HD SAE 50/20W50 can be used in older trucks and buses as well as for cost effective lubrication in off-highway applications such as agricultural tractors.

Zircon HD SAE 50/20W50 provides excellent protection against piston deposits controls engine wear, gives long engine life, maintains engine power and efficiency and lowers servicing costs.

SPECIFICATION

API CF-4, CF-2, CF, Recommended for use in Caterpillar, Cummins, Detroit Diesel, Mack, Volvo, Scania, Renault, Iveco and many diesel engines.

TYPICAL PROPERTIES

		50	20W50
Density @ 15°C, kg/l	ASTM D1298	0.905	0.885
Viscosity @ 100°C, cSt	ASTM D445	19.5	19.5
Viscosity @ 40°C, cSt	ASTM D445	205	165
Viscosity Index	ASTM D2270	105	125
Cold Crank Simulator, cP	ASTM D5293	-	<9,500 @ -15 °C
Pour Point, °C	ASTM D97	-20	-25
Flash Point, °C	ASTM D92	>220	210
Total Base Number (TBN), KOH/g	ASTM D2896	13	13

AVAILABLE PACKS

1L, 4L, 5L, 20L, 25L, 208L, Bulk



OSCAR PRODUCTS USE EXPLAINED

Engine Oil



Oscar Zircon® Novus
SAE 5W30-10W30-10W40-15W40
API CK-4, CK-4/SN

Oscar Zircon® Starlight XT
SAE 0W40, 5W40 - 0W30, 5W30 - 0W20, 5W20
API CJ-4

Oscar Zircon® Starlight
SAE 10W30-10W40
API Ci-4, CI-4/SL

Oscar Zircon® XT
SAE 10W30-10W40-15W40-20W50
API CH-4, CH-4/SC

Oscar Zircon® HD
SAE 40-50-70-15W40-20W50
API CF-4, CF/SF

ATF

Oscar ATF III
Fully Synthetic



Grease

Oscar Pyrox EP2
Oscar Pyrox Complex EP2



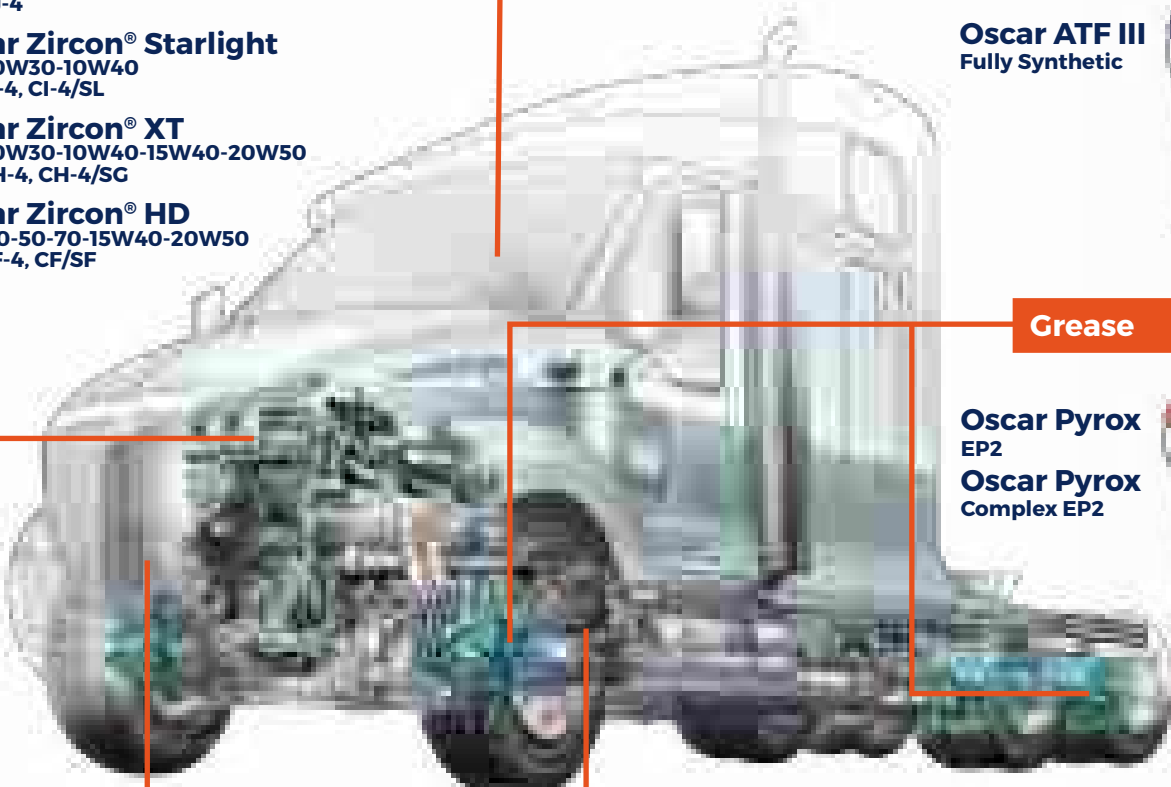
Gear Oil

Oscar MTF
SAE 85W90-85W140
API GL-5

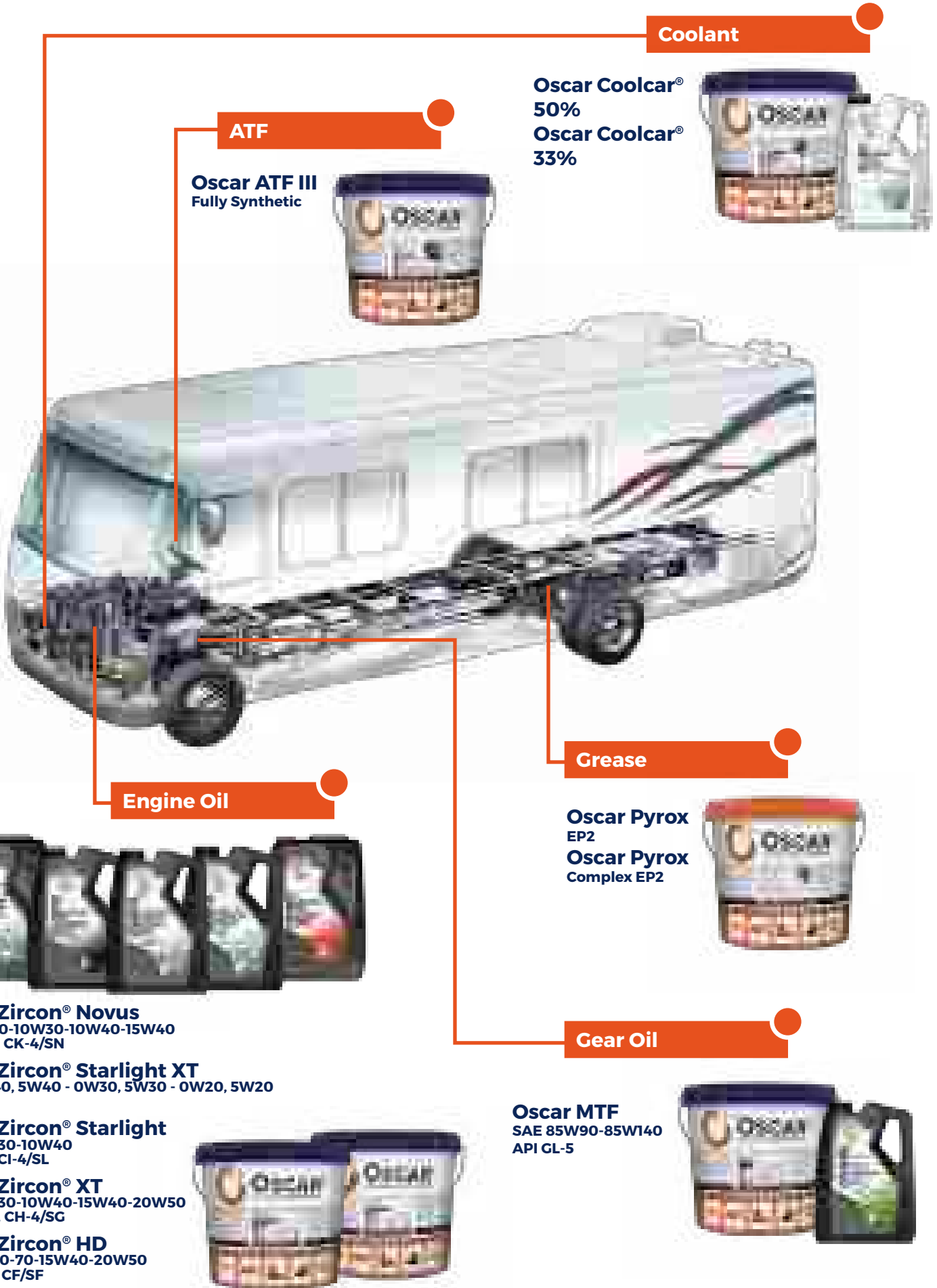


Coolant

Oscar Coolcar® 50%
Oscar Coolcar® 33%



OSCAR PRODUCTS USE EXPLAINED



ATF

Oscar ATF III
Fully Synthetic



Coolant

Oscar Coolcar®
50%
Oscar Coolcar®
33%



Engine Oil



Oscar Zircon® Novus
SAE 5W30-10W30-10W40-15W40
API CK-4, CK-4/SN

Oscar Zircon® Starlight XT
SAE 0W40, 5W40 - 0W30, 5W30 - 0W20, 5W20
API CJ-4

Oscar Zircon® Starlight
SAE 10W30-10W40
API Ci-4, CI-4/SL

Oscar Zircon® XT
SAE 10W30-10W40-15W40-20W50
API CH-4, CH-4/SG

Oscar Zircon® HD
SAE 40-50-70-15W40-20W50
API CF-4, CF/SF



Grease

Oscar Pyrox
EP2
Oscar Pyrox
Complex EP2



Gear Oil

Oscar MTF
SAE 85W90-85W140
API GL-5



Follow



OSCAR[®]
The lubricant professionals



On Social Media

www.instagram.com/oscarlubricants
www.facebook.com/oscarlubricants
www.twitter.com/oscarlubricants

OSCAR PRODUCTS USE EXPLAINED

Engine Oil



Oscar Jade[®] 4T Super
SAE 20W50-20W40-10W40
API SN JASO MA 2 - API SL JASO MA 2

Oscar Jade[®] 4T Eco
SAE 20W50-20W40
API SG JASO MA 1

Engine Oil



Oscar Jade[®] 4T Super Scooter
SAE 10W40
API SL JASO MB



Brake Fluid

Oscar Brake Fluid
DOT 3
DOT 4



Coolant

Oscar Coolcar[®]
33%



Gear Oil

Oscar MTF
SAE 80W90
API GL-5





Jade 4T Racing

Oscar 4T Racing is a 100% synthetic 4-Stroke lubricant. Meets bike manufacturer specifications, especially BMW, KTM and MV AGUSTA which recommend SAE 5W40. Excellent shear resistance protecting engine and gearbox. Smooth shifting. Meets JASO MA2 specifications for optimal wet clutch performance. Suitable for catalytic converters.

SPECIFICATION

API SN / SM / SL / SJ / SH / SG; JASO MA / MA2

TYPICAL PROPERTIES

Density @ 15°C, kg/l	ASTM D1298	0.855
Viscosity @ 100°C, cSt	ASTM D445	13.6
Viscosity @ 40°C, cSt	ASTM D445	79.6
Viscosity Index	ASTM D2270	175
Pour Point, °C	ASTM D97	-36
Flash Point, °C	ASTM D92	226
Total Base Number (TBN), KOH/g	ASTM D2896	8.4

AVAILABLE PACKS

1L, 208L, Bulk



Jade 4T Endurance

Oscar 4T Endurance is a 100% synthetic 4-Stroke motorcycle racing lubricant. Ensures maximum power output of the engine without compromising the reliability and the wear. Meets JASO MA2 specifications for optimal wet clutch performance.

SPECIFICATION

API SN / SM / SL / SJ / SH / SG; JASO MA / MA2

TYPICAL PROPERTIES

Density @ 15°C, kg/l	ASTM D1298	0.860
Viscosity @ 100°C, cSt	ASTM D445	24.0
Viscosity @ 40°C, cSt	ASTM D445	156
Viscosity Index	ASTM D2270	185
Pour Point, °C	ASTM D97	-33
Flash Point, °C	ASTM D92	236
Total Base Number (TBN), KOH/g	ASTM D2896	8.0

AVAILABLE PACKS

1L, 208L, Bulk





Jade 4T Super

Oscar Jade 4T Super SAE 10W40 Super is a fully synthetic 4-Stroke lubricant. Excellent shear resistance protecting engine and gearbox. Smooth shifting. Meets JASO MA2 specifications for optimal wet clutch performance. Primarily intended for general use in all types of four-stroke motorcycles and engines, especially Hero, Yamaha and Honda with <150 cc engines. Suitable for catalytic converters.

SPECIFICATION

API SN / SM / SL / SJ / SH / SG; JASO MA / MA2

TYPICAL PROPERTIES

Density @ 15°C, kg/l	ASTM D1298	0.871
Viscosity @ 100°C, cSt	ASTM D445	13.82
Viscosity @ 40°C, cSt	ASTM D445	89.9
Viscosity Index	ASTM D2270	155
Pour Point, °C	ASTM D97	-33
Flash Point, °C	ASTM D92	226
Total Base Number (TBN), KOH/g	ASTM D2896	7.5

AVAILABLE PACKS

1L, 208L, Bulk



Jade 4T Super

Oscar 4T Super is a synthetic technology motorcycle oil designed primarily for on-road, high-performance, four-cycle bikes. It also may be used in other types of on- and off-road four-cycle motorcycles that specify the use of 20W-40/50 engine oil. Meets JASO MA2 specifications for optimal wet clutch performance.

SPECIFICATION

API SL / SJ / SH / SG ; JASO MA / MA2

TYPICAL PROPERTIES

		20W40	20W50
Density @ 15°C, kg/l	ASTM D1298	0.880	0.880
Viscosity @ 100°C, cSt	ASTM D445	15.0	18.5
Viscosity @ 40°C, cSt	ASTM D445	122	160
Viscosity Index	ASTM D2270	126	126
Pour Point, °C	ASTM D97	-30	-30
Flash Point, °C	ASTM D92	230	230
Total Base Number (TBN), KOH/g	ASTM D2896	7.5	7.5

AVAILABLE PACKS

1L, 208L, Bulk





Jade 4T Super

Oscar Jade 4T Super SAE 10W40 Super is a fully synthetic 4-Stroke lubricant. Excellent shear resistance protecting engine and gearbox. Smooth shifting. Meets JASO MA2 specifications for optimal wet clutch performance. Primarily intended for general use in all types of four-stroke motorcycles and engines, especially Hero, Yamaha and Honda with <150 cc engines. Suitable for catalytic converters.

SPECIFICATION

API SN / SM / SL / SJ / SH / SG; JASO MA / MA2

TYPICAL PROPERTIES

Density @ 15°C, kg/l	ASTM D1298	0.871
Viscosity @ 100°C, cSt	ASTM D445	13.82
Viscosity @ 40°C, cSt	ASTM D445	89.9
Viscosity Index	ASTM D2270	155
Pour Point, °C	ASTM D97	-33
Flash Point, °C	ASTM D92	226
Total Base Number (TBN), KOH/g	ASTM D2896	7.5

AVAILABLE PACKS

1L, 208L, Bulk



Jade 4T Super

Oscar 4T Super is a synthetic technology motorcycle oil designed primarily for on-road, high-performance, four-cycle bikes. It also may be used in other types of on- and off-road four-cycle motorcycles that specify the use of 20W-40/50 engine oil. Meets JASO MA2 specifications for optimal wet clutch performance.

SPECIFICATION

API SL / SJ / SH / SG ; JASO MA / MA2

TYPICAL PROPERTIES

		20W40	20W50
Density @ 15°C, kg/l	ASTM D1298	0.880	0.880
Viscosity @ 100°C, cSt	ASTM D445	15.0	18.5
Viscosity @ 40°C, cSt	ASTM D445	122	160
Viscosity Index	ASTM D2270	126	126
Pour Point, °C	ASTM D97	-30	-30
Flash Point, °C	ASTM D92	230	230
Total Base Number (TBN), KOH/g	ASTM D2896	7.5	7.5

AVAILABLE PACKS

1L, 208L, Bulk





Jade 4T Eco

Oscar 4T Eco SAE 20W40 is a mineral motorcycle oil designed primarily for on-road, four-cycle bikes. It also may be used in other types of on and off-road four-cycle motorcycles. Meets JASO MA1 specifications for optimal wet clutch performance. Suitable for old motorcycles.

SPECIFICATION

API SG ; JASO MA / MA1

TYPICAL PROPERTIES

Density @ 15°C, kg/l	ASTM D1298	0.880
Viscosity @ 100°C, cSt	ASTM D445	14.0
Viscosity @ 40°C, cSt	ASTM D445	100
Viscosity Index	ASTM D2270	142
Pour Point, °C	ASTM D97	-30
Flash Point, °C	ASTM D92	230
Total Base Number (TBN), KOH/g	ASTM D2896	7.0

AVAILABLE PACKS

1L, 208L, Bulk

Jade 4T Eco

Oscar 4T Eco SAE 20W50 is a mineral motorcycle oil designed primarily for on-road, four-cycle bikes. It also may be used in other types of on and off-road four-cycle motorcycles. Meets JASO MA1 specifications for optimal wet clutch performance. Suitable for old motorcycles.



SPECIFICATION

API SG; JASO MA / MA1

TYPICAL PROPERTIES

Density @ 15°C, kg/l	ASTM D1298	0.880
Viscosity @ 100°C, cSt	ASTM D445	18.5
Viscosity @ 40°C, cSt	ASTM D445	160
Viscosity Index	ASTM D2270	126
Pour Point, °C	ASTM D97	-25
Flash Point, °C	ASTM D92	230
Total Base Number (TBN), KOH/g	ASTM D2896	7.0

AVAILABLE PACKS

1L, 208L, Bulk





4T Super Scooter

Oscar 4T Scooter Super is a synthetic technology motorcycle oil specially designed to meet today's 4-Stroke scooter specifications where a 20W40/50 viscosity grade and the JASO MB specification are required. JASO MB lubricant ensures optimal engine performance and fuel economy on all scooters without wet clutch. Reduces oil consumption. Provides Low Emission. Outstanding detergent and anti-wear properties

SPECIFICATION

API SL / SJ / SH / SG; JASO MB

TYPICAL PROPERTIES

		20W40	20W50
Density @ 15°C, kg/l	ASTM D1298	0.880	0.880
Viscosity @ 100°C, cSt	ASTM D445	15.0	18.5
Viscosity @ 40°C, cSt	ASTM D445	122	160
Viscosity Index	ASTM D2270	126	126
Pour Point, °C	ASTM D97	-30	-30
Flash Point, °C	ASTM D92	230	230
Total Base Number (TBN), KOH/g	ASTM D2896	7.5	7.5

AVAILABLE PACKS

1L, 208L, Bulk



4T Eco Scooter

Oscar 4T Scooter Eco is a mineral motorcycle oil specially designed to meet today's 4-Stroke scooter specifications where a 20W40/50 viscosity grade and the JASO MB specification are required. JASO MB lubricant ensures optimal engine performance and fuel economy on all scooters without wet clutch. Suitable for old motorcycles.

SPECIFICATION

API SL / SJ / SH / SG; JASO MB

TYPICAL PROPERTIES

		20W40	20W50
Density @ 15°C, kg/l	ASTM D1298	0.880	0.880
Viscosity @ 100°C, cSt	ASTM D445	15.0	18.5
Viscosity @ 40°C, cSt	ASTM D445	122	160
Viscosity Index	ASTM D2270	126	126
Pour Point, °C	ASTM D97	-25	-25
Flash Point, °C	ASTM D92	230	230
Total Base Number (TBN), KOH/g	ASTM D2896	7.0	7.0

AVAILABLE PACKS

1L, 208L, Bulk



JADE 2T



Jade 2T

Oscar 2T is a lubricant for 2-Stroke scooter engines with premix or injector lube system, operating at high rpm. Reinforced with synthetic base stocks for outstanding oil film resistance and anti-wear protection. Minimizes smoke and deposits. Meets the requirements of API TC/TB.

SPECIFICATION

API TC; JASO FC

TYPICAL PROPERTIES

Density @ 15°C, kg/l	ASTM D1298	0.859
Viscosity @ 100°C, cSt	ASTM D445	8.8
Viscosity @ 40°C, cSt	ASTM D445	53.8
Viscosity Index	ASTM D2270	140
Pour Point, °C	ASTM D97	-39
Flash Point, °C	ASTM D92	245
Total Base Number (TBN), KOH/g	ASTM D2896	1.5

AVAILABLE PACKS

1L, 208L, Bulk



Jade 2T Outboard

Oscar 2T Outboard TC-W3 is a high quality two stroke engine lubricant that delivers excellent performance in water-cooled and air-cooled applications. It is formulated to provide excellent lubrication and deposit control in a wide range of applications (include outboard engines, motorcycles, lawn mowers, scooters, golf carts, chain saws, and other two-stroke powered equipment).

SPECIFICATION

API TC for gasoline engines air cooled 2 strokes (20 to 500 c.c.)
NMMA TC-W3 for gasoline engines water cooled 2 strokes

TYPICAL PROPERTIES

Density @ 15°C, kg/l	ASTM D1298	0.876
Viscosity @ 100°C, cSt	ASTM D445	8.1
Viscosity @ 40°C, cSt	ASTM D445	47.9
Viscosity Index	ASTM D2270	142
Pour Point, °C	ASTM D97	-44
Flash Point, °C	ASTM D92	171
Total Base Number (TBN), KOH/g	ASTM D2896	10.2

AVAILABLE PACKS

1L, 208L, Bulk



ATF - VI

Oscar ATF-VI is a high performance, fully synthetic automatic transmission fluid that meets or exceeds the stringent requirements of DEXRON-VI specification and provides warranty protection for 2006 and newer General Motor's vehicles. It also provides improved performance in older vehicles, wherever DEXRON is specified.

SPECIFICATION

Meets the requirements of ATF (Automatic Transmission Fluid) General Motors' DEXRON-VI

TYPICAL PROPERTIES

Density @ 15°C, kg/l	ASTM D1298	-
Viscosity @ 100°C, cSt	ASTM D445	5.83
Viscosity @ 40°C, cSt	ASTM D445	29
Viscosity Index	ASTM D2270	145
Brookfield Viscosity @-40 °C, cP	ASTM D2983	11,500
Pour Point, °C	ASTM D97	-45
Flash Point, °C	ASTM D92	220

AVAILABLE PACKS

1L, 4L, 5L, 20L, 25L, 208L, Bulk



ATF III

Oscar ATF III is a 100% synthetic blend multipurpose transmission fluid for use in automatic gear boxes post 2005, where Dexron III is quoted. Also suitable for certain power steering systems, torque converters, change-gearboxes, fluid clutches and non-complicated hydraulic systems.

SPECIFICATION

Meets the requirements of ATF (Automatic Transmission Fluid) GM DEXRON III H

TYPICAL PROPERTIES

Density @ 15°C, kg/l	ASTM D1298	0,860
Viscosity @ 100°C, cSt	ASTM D445	7,5
Viscosity @ 40°C, cSt	ASTM D445	34
Viscosity Index	ASTM D2270	199
Brookfield Viscosity @-40 °C, cP	ASTM D2983	<20,000
Pour Point, °C	ASTM D97	-42
Flash Point, °C	ASTM D92	>185

AVAILABLE PACKS

1L, 4L, 5L, 20L, 25L, 208L, Bulk



ATF II-D

Oscar ATF II - D is multipurpose automatic transmission fluid for use in automatic gear boxes and power steering systems of vehicles where Dexron II D is quoted.

SPECIFICATION

Meets the requirements of ATF (Automatic Transmission Fluid) GM DEXRON II D

TYPICAL PROPERTIES

Density @ 15°C, kg/l	ASTM D1298	0.870
Viscosity @ 100°C, cSt	ASTM D445	7.0
Viscosity @ 40°C, cSt	ASTM D445	37
Viscosity Index	ASTM D2270	≥160
Brookfield Viscosity @-40 °C, cP	ASTM D2983	<50,000
Pour Point, °C	ASTM D97	-44
Flash Point, °C	ASTM D92	210

AVAILABLE PACKS

1L, 4L, 5L, 20L, 25L, 208L, Bulk



ATF TYPE A

Oscar ATF A is multipurpose automatic transmission fluid for use in automatic gear boxes and power steering systems of vehicles where Type A suffix A is quoted.

SPECIFICATION

Meets the requirements of General Motors type A Suffix A.

TYPICAL PROPERTIES

Density @ 15°C, kg/l	ASTM D1298	0.863
Viscosity @ 100°C, cSt	ASTM D445	7.5
Viscosity @ 40°C, cSt	ASTM D445	35.2
Viscosity Index	ASTM D2270	≥ 160
Brookfield Viscosity @-40 °C, cP	ASTM D2983	<50,000
Pour Point, °C	ASTM D97	-42
Flash Point, °C	ASTM D92	>185

AVAILABLE PACKS

1L, 4L, 5L, 20L, 25L, 208L, Bulk

NEW



ATF WS

Oscar ATF WS is a special synthetic hydraulic liquid for Toyota transmissions with the control of speeds slide. Thoroughly selected additives and synthetic components provide the best friction properties when gear changing, perfect low-temperature properties, high antioxygenic and chemical stability during the whole operation cycle. Is created for most of the 5- and 6-stepped automatic transmissions used in Toyota cars since 2005.

SPECIFICATION

AISIN WARNER ; BMW 4 and 5 speed European ; CHRYSLER ATF +3 / 4 ; MAN 339 ; Type Z-1 ; MB 4 and 5 speed European ; TOYOTA T-III / T-IV / WS Lifetime ; VOITH AT5 55.6335 ; VW 4 and 5 speed European

TYPICAL PROPERTIES

Density @ 15°C, kg/l	ASTM D1298	846
Viscosity @ 100°C, cSt	ASTM D445	7,05
Viscosity @ 40°C, cSt	ASTM D445	34,5
Viscosity Index	ASTM D2270	172
Brookefield Viscosity @ 40°C, cP	ASTM D97	13,100
Pour Point, °C	ASTM D92	-45
Flash Point, °C	ASTM D2896	216

AVAILABLE PACKS

1L, 208L, Bulk



CVT

Oscar CVT is a high performance transmission oil formulated with selected base stocks and special recommended for use in latest generations of Continuously Variable Automatic Transmissions (CVT) which transfer traction via steel-made traction chains or belts.

SPECIFICATION

BMW Mini Cooper E21, 799, Dodge/Jeep NS-2, CVTF-4; Ford CVT23, CVT30/Motorcraft XT-7-QCFT, Mercon C; GM/Saturn DEX-CVT; Honda HMMF, HCF-2, Hyundai/Kia CVT applications (SP-CVT 1); Mazda CVTF 3320; Mercedes Benz 23620; Mitsubishi CVTF-J1, CVTF-J4; Nissan NS-2, NS-3; Shell Green IV; Subaru Lineartronic CVTF (P/N K0425Y0710), CV-30, High Torque CVTF, e-CVTF; Suzuki TC, NS-2, CVTF 3320, CVT Green 1, CVT Green 2; Toyota TC, FE; Volkswagen/Audi TL 52180; G 052 180, G 052 516

TYPICAL PROPERTIES

Density @ 15°C, kg/l	ASTM D1298	0.848
Viscosity @ 100°C, cSt	ASTM D445	7.5
Viscosity @ 40°C, cSt	ASTM D445	34
Viscosity Index	ASTM D2270	175
Brookefield Viscosity @ 40°C, cP	ASTM D97	12.000
Pour Point, °C	ASTM D92	-42
Flash Point, °C	ASTM D2896	210

AVAILABLE PACKS

1L, 208L, Bulk



DCT

Oscar DCT is Dual Clutch Transmission (DCT) Fluid for the new generation of dual clutch gear transmissions. Oscar ATF DCT is formulated with high quality base oil and special additives for safe operations.

SPECIFICATION

Audi, Seat, Skoda, Volkswagen (VW TL 052 182; VW TL 052 529), BMW 1, 3, 5, 6 series, Z4, X1 (BMW DCTF-1), Peugeot/Citroen 9734.S2, Ferrari TF DCT-F3, Fiat BOT 341, Ford/Nissan M2C936A (BOT 341), Mercedes-Benz A-Class, B-Class (MB 23621; MB 23625), Mitsubishi MZ320065 Dia-Queen SSTF-I, Porsche (ZF) Boxster, Cayman, 911, Panamera, Renault Getrag (BOT 450), Volvo C30, S40, S60, V40, V50, V60, V70 S80, XC30, XC60 (1161838 1161839)

TYPICAL PROPERTIES

Density @ 15°C, kg/l	ASTM D1298	0.852
Viscosity @ 100°C, cSt	ASTM D445	7.5
Viscosity @ 40°C, cSt	ASTM D445	36.3
Viscosity Index	ASTM D2270	170
Pour Point, °C	ASTM D92	-40
Flash Point, °C	ASTM D2896	190

AVAILABLE PACKS

1L, 208L, Bulk



MTF 90

Oscar MTF SAE 90 is a high-performance, high-pressure gear oil manufactured from high quality mineral base oils and multifunctional "extreme pressure" additives.

Features

Oscar MTF SAE 90 is used in powered transmission and axle drives for cars, highway light and heavy duty trucks, busses, and vans where an API GL-5 is required.

SPECIFICATION

SAE 90; API GL-5; API GL-4

TYPICAL PROPERTIES

Density @ 15°C, kg/l	ASTM D1298	0.890
Viscosity @ 100°C, cSt	ASTM D445	20.0
Viscosity @ 40°C, cSt	ASTM D445	229
Viscosity Index	ASTM D2270	101
Pour Point, °C	ASTM D97	-18
Flash Point, °C	ASTM D92	210

AVAILABLE PACKS

1L, 4L, 5L, 20L, 25L, 208L, Bulk



MTF 140

Oscar MTF SAE 140 is a high-performance, high-pressure gear oil manufactured from high quality mineral base oils and multifunctional "extreme pressure" additives.

Features

Oscar MTF SAE 140 is used in powered transmission and axle drives for cars, highway light and heavy duty trucks, busses, and vans where an API GL-5 is required.

SPECIFICATION

SAE 140; API GL-5; API GL-4

TYPICAL PROPERTIES

Density @ 15°C, kg/l	ASTM D1298	0.890
Viscosity @ 100°C, cSt	ASTM D445	29.6
Viscosity @ 40°C, cSt	ASTM D445	443
Viscosity Index	ASTM D2270	95
Pour Point, °C	ASTM D97	-12
Flash Point, °C	ASTM D92	230

AVAILABLE PACKS

1L, 4L, 5L, 20L, 25L, 208L, Bulk



MTF 85W - 90 /140

Oscar MTF SAE 85W90 is a high-performance multigrade, high-pressure gear oil manufactured from high quality mineral base oils and multifunctional "extreme pressure" additives.

Features

Oscar MTF SAE 85W90 provides excellent low temperature fluidity for safe lubrication during very low temperature transmission and transaxle startup, and also maintains a thick protective oil film during extremely hot operating conditions. Oscar MTF SAE 85W90 is used in powered transmission and axle drives for cars, highway light and heavy duty trucks, busses, and vans where an API GL-5 is required.

SPECIFICATION

SAE 85W- 90 /140; API GL-5; API GL-4

TYPICAL PROPERTIES

		85W90	85W140
Density @ 15°C, kg/l	ASTM D1298	0.900	0.910
Viscosity @ 100°C, cSt	ASTM D445	15.0	27.8
Viscosity @ 40°C, cSt	ASTM D445	144	369
Viscosity Index	ASTM D2270	105	100
Pour Point, °C	ASTM D97	-30	-18
Flash Point, °C	ASTM D92	210	210

AVAILABLE PACKS

1L, 4L, 5L, 20L, 25L, 208L, Bulk



MTF 75W - 90 /140

Oscar MTF SAE 75W90 is a high-performance multigrade, high-pressure gear oil manufactured from high quality mineral base oils and multifunctional "extreme pressure" additives.

Features

Oscar MTF SAE 75W90 / 75W140 GL-5 is used in powered transmission and axle drives for cars, highway light and heavy duty trucks, busses, and vans where an API GL-5 is required.

SPECIFICATION

SAE 75W- 90 /140; API GL-5; API GL-4

TYPICAL PROPERTIES

		75W90	75W140
Density @ 15°C, kg/l	ASTM D1298	0.860	0.872
Viscosity @ 100°C, cSt	ASTM D445	15.7	24.4
Viscosity @ 40°C, cSt	ASTM D445	115	170
Viscosity Index	ASTM D2270	144	175
Pour Point, °C	ASTM D97	-45	-48
Flash Point, °C	ASTM D92	210	207

AVAILABLE PACKS

1L, 4L, 5L, 20L, 25L, 208L, Bulk





CoolCar 100%

Oscar CoolCar 100% Concentrate is a concentrate automotive radiator fluid composed of demineralized water, ethylene glycol and an advanced blend of balanced corrosion inhibitors. It's designed to protect the cooling systems of water-cooled petrol engines.

Features

The majority of passenger cars' and light diesel vehicles' radiators can use Oscar CoolCar Coolant. Oscar CoolCar is a full mono ethylene glycol based coolant for a liquid cooled crankcase system. It contains anti-corrosion and anti-rust additives. It is harmless to rubber and does not foam or clog radiators. It must be mixed with water to a concentration of 33%, 40% & 50%. NEVER used more than 50%.

SPECIFICATION

ASTM D 3306; ASTM D 4656; ASTM D 4985; ASTM D 5345; SAE J814C; SAE J1038; SAE J1941; SAE J1034; GM 1899M; GM 6043M; GM 1825M; Ford ESE-M97B44-A; Ford ESE-M97B18-C; Chrysler MS-7170; Freightliner 48-22880; Cummins 90T8-4; Waukesha 4-19470; White (GMC Div. Of Volvo); John Deere 8650-5; Case Corp. MS1710; Navistar BI (B6-008GO); Cummins 3666132; Detroit Diesel 7SE298; Ford New Holland 9-86; John Deere H-5; Mack Truck 014GS17004; ATA RP 302A

TYPICAL PROPERTIES

Density @ 15°C, kg/l	ASTM D1122	1.132
Boiling Point, °C	ASTM D1120	163
Reserve alkalinity, ml 0.1 N HC	ASTM D1121	17
Viscosity Index	ASTM D1287	7.8
Cold Crank Simulator, cPs	ASTM D1177	≤ -36

AVAILABLE PACKS

1L, 4L, 5L, 20L, 25L, 208L, Bulk



CoolCar 50%

Antifreeze/Coolant, 50% pre-mixed ready for use. Ethylene glycol based. For use in all makes and models of cars, both automotive engines and heavy-duty diesel engines. It's designed to protect the cooling systems of water-cooled petrol engines.

Features

The majority of passenger cars' and light diesel vehicles' radiators can use Oscar CoolCar Coolant. Oscar CoolCar is a full mono ethylene glycol based coolant for a liquid cooled crankcase system. It contains anti-corrosion and anti-rust additives. It is harmless to rubber and does not foam or clog radiators.

SPECIFICATION

ASTM D 3306; ASTM D 4656; ASTM D 4985; ASTM D 5345; SAE J814C; SAE J1038; SAE J1941; SAE J1034; GM 1899M; GM 6043M; GM 1825M; Ford ESE-M97B44-A; Ford ESE-M97B18-C; Chrysler MS-7170; Freightliner 48-22880; Cummins 90T8-4; Waukesha 4-19470; White (GMC Div. Of Volvo); John Deere 8650-5; Case Corp. MS1710; Navistar BI (B6-008GO); Cummins 3666132; Detroit Diesel 7SE298; Ford New Holland 9-86; John Deere H-5; Mack Truck 014GS17004; ATA RP 302A

TYPICAL PROPERTIES

Density @ 15°C, kg/l	ASTM D1122	1.060
Boiling point °C	ASTM D1120	110
Freezing point °C	ASTM D1177	-36

AVAILABLE PACKS

1L, 4L, 5L, 20L, 25L, 208L, Bulk



CoolCar 30%

Antifreeze/Coolant, 30% pre-mixed ready for use. Ethylene glycol based. For use in all makes and models of cars, both automotive engines and heavy-duty diesel engines. It's designed to protect the cooling systems of water-cooled petrol engines.

Features

The majority of passenger cars' and light diesel vehicles' radiators can use Oscar CoolCar Coolant. Oscar CoolCar is a full mono ethylene glycol based coolant for a liquid cooled crankcase system. It contains anti-corrosion and anti-rust additives. It is harmless to rubber and does not foam or clog radiators.

SPECIFICATION

ASTM D 3306; ASTM D 4656; ASTM D 4985; ASTM D 5345; SAE J814C; SAE J1038; SAE J1941; SAE J1034; GM 1899M; GM 6043M; GM 1825M; Ford ESE-M97B44-A; Ford ESE-M97B18-C; Chrysler MS-7170; Freightliner 48-22880; Cummins 90T8-4; Waukesha 4-19470; White (GMC Div. Of Volvo); John Deere 8650-5; Case Corp. MS1710; Navistar BI (B6-008GO); Cummins 3666132; Detroit Diesel 7SE298; Ford New Holland 9-86; John Deere H-5; Mack Truck 014GS17004; ATA RP 302A

TYPICAL PROPERTIES

Density @ 15°C, kg/l	ASTM D1122	1.050
Boiling point °C	ASTM D1120	107
Freezing point °C	ASTM D1177	-17

AVAILABLE PACKS

1L, 4L, 5L, 20L, 25L, 208L, Bulk



BRAKE FLUID



Brake Fluid Dot 5.1

Hydraulic fluid recommended for brake circuits in all vehicles using synthetic fluids where DOT 5.1 level is required and especially for vehicles operating in very severe conditions. It is used in competition. Miscible with other synthetic fluids of chemical type such as DOT 3, DOT 4 and DOT 5.1. Not miscible with mineral base fluids of LHM type and fluids of DOT 5.1 type with silicon.

Features

Designed for vehicles fitted with modern braking and ABS systems. For superior braking in extreme conditions. Compatible with all brake systems requiring DOT 5.1 brake fluids.

SPECIFICATION

SAE J 1704; FMVSS 116 DOT 5.1; ISO 4925

TYPICAL PROPERTIES

FMVSS Grade	DOT 5.1
Color	Amber
Density @ 15 °C	
pH	≥ 160
Kinematic Viscosity @ 100 °C, cSt	1.5
Equilibrium Reflux Boiling Point, °C	260
Wet Equilibrium Reflux Boiling Point, °C	
Pour Point, °C	

AVAILABLE PACKS

250mL, 500mL, 208L, Bulk



Brake Fluid Dot 4

Oscar Brake Fluid DOT 4 is a heavy-duty synthetic brake fluid, contains antioxidant, metal deactivator and corrosion inhibitor to ensure long service life of brake fluid and brake components. Due to high boiling point, it does not give vapour lock problems in high temperature working conditions.

Features

It has excellent low temperature properties and recommended for all conventional drum and disc brake systems. Oscar Brake Fluid DOT 4 can also be used in Hydraulic clutch release systems.

SPECIFICATION

FMVSS No. 116 DOT 4; SAE J1703

TYPICAL PROPERTIES

FMVSS Grade	DOT 4
Color	Amber
Density @ 15 °C	1.060
pH	9.0
Kinematic Viscosity @ 100 °C, cSt	2.2
Equilibrium Reflux Boiling Point, °C	260
Wet Equilibrium Reflux Boiling Point, °C	148
Pour Point, °C	> -50

AVAILABLE PACKS

250mL, 500mL, 208L, Bulk



Brake Fluid Dot 3

Oscar Brake Fluid DOT 3 is a heavy-duty synthetic brake fluid, contains antioxidant, metal deactivator and corrosion inhibitor to ensure long service life of brake fluid and brake components. Due to high boiling point, it does not give vapour lock problems in high temperature working conditions.

Features

It has excellent low temperature properties and recommended for all conventional drum and disc brake systems. Oscar Brake Fluid DOT 3 can also be used in Hydraulic clutch release systems.

SPECIFICATION

FMVSS No. 116 DOT 3; SAE J1703

TYPICAL PROPERTIES

FMVSS Grade	DOT 3
Color	Amber
Density @ 15 °C	1.0923
pH	9.0
Kinematic Viscosity @ 100 °C, cSt	2.2
Equilibrium Reflux Boiling Point, °C	240
Wet Equilibrium Reflux Boiling Point, °C	148
Pour Point, °C	> -50

AVAILABLE PACKS

250mL, 500mL, 208L, Bulk





Pyrox 2

OSCAR PYROX 2 is a multipurpose grease for general lubrication under normal operating conditions and loads, formulated for lubrication of all kinds of universal applications in transport, agriculture and off-road equipment, operating in wet, dusty and/or dry conditions. Lubrication of all kinds of bearings and joints when the temperature and loading conditions are normal. Suitable for passenger car, light truck and leisure vehicle applications.

SPECIFICATION

ISO 6743-9: L-XBCEA 2; DIN 51502: K2K-25

TYPICAL PROPERTIES

Soap/Thickener		Lithium
NLGI Grade	ASTM D217	2
Color	Visual	Glazy Yellow
Appearance	Visual	Smooth
Operating Temperature range, °C	-	-25 to 120
Penetration @ 25°C, 0.1 mm	ASTM D217	265 - 295
Dropping point, °C	IP 396/DIN ISO 2176	≥185
Kinematic viscosity of the base oil @ 40°C, mm ² /s	ASTM D445	150

AVAILABLE PACKS

0.5 KG, 1 KG, 3 KG, 15 KG, 175 KG



Pyrox 3

OSCAR PYROX 3 is a multipurpose grease for general lubrication under normal operating conditions and loads, formulated for lubrication of all kinds of universal applications in transport, agriculture and off-road equipment, operating in wet, dusty and/or dry conditions. Lubrication of all kinds of bearings and joints when the temperature and loading conditions are normal. Suitable for passenger car, light truck and leisure vehicle applications.

SPECIFICATION

ISO 6743-9: L-XBCEA 3; DIN 51502: K3K-20

TYPICAL PROPERTIES

Soap/Thickener		Lithium
NLGI Grade	ASTM D217	3
Color	Visual	Glazy Yellow
Appearance	Visual	Smooth
Operating Temperature range, °C	-	-25 to 120
Penetration @ 25°C, 0.1 mm	ASTM D217	220 - 250
Dropping point, °C	IP 396/DIN ISO 2176	≥185
Kinematic viscosity of the base oil @ 40°C, mm ² /s	ASTM D445	150

AVAILABLE PACKS

0.5 KG, 1 KG, 3 KG, 15 KG, 175 KG



Pyrox Complex EP 2

OSCAR PYROX COMPLEX EP 2 is designed for the lubrication various applications in all types of operating conditions, but particularly where the operation temperature is high and the use of conventional lithium greases is limited. OSCAR PYROX COMPLEX EP 2 is a true multipurpose grease, formulated for lubrication of roller-bearings, wheel bearings, universal joints, chassis, and various shock loaded or vibrating applications in transport, agriculture and off-road vehicles. Suitable as general-purpose grease for industrial applications requiring a NLGI 2 grade Extreme Pressure grease, resistant to elevated temperatures.

SPECIFICATION

ISO 6743-9: L-XBEHB 2; DIN 51502: KP2P-20

TYPICAL PROPERTIES

Soap/Thickener		Lithium Complex
NLGI Grade	ASTM D217	2
Color	Visual	Red
Appearance	Visual	Smooth
Operating Temperature range, °C	-	-20 to 160
Four ball weld load, daN	DIN 51 350-4	280 - 300
Penetration @ 25°C, 0.1 mm	ASTM D217	265 - 295
Dropping point, °C	IP 396/DIN ISO 2176	≥275
Kinematic viscosity of the base oil @ 40°C, mm ² /s	ASTM D445	165

AVAILABLE PACKS

0.5 KG, 1 KG, 3 KG, 15 KG, 175 KG



Pyrox Complex EP 3

OSCAR PYROX COMPLEX EP 3 is designed for the lubrication various applications in all types of operating conditions, but particularly where the operation temperature is high and the use of conventional lithium greases is limited. OSCAR PYROX COMPLEX EP 3 is a true multipurpose grease, formulated for lubrication of roller-bearings, wheel bearings, universal joints, chassis, and various shock loaded or vibrating applications in transport, agriculture and off-road vehicles. Suitable as general-purpose grease for industrial applications requiring a NLGI 3 grade Extreme Pressure grease, resistant to elevated temperatures.

SPECIFICATION

ISO 6743-9: L-XBDHB 3; DIN 51502: P3N-20

TYPICAL PROPERTIES

Soap/Thickener		Lithium Complex
NLGI Grade	ASTM D217	3
Color	Visual	Red
Appearance	Visual	Smooth
Operating Temperature range, °C	-	-20 to 160
Four ball weld load, daN	DIN 51 350-4	280 - 300
Penetration @ 25°C, 0.1 mm	ASTM D217	220 - 250
Dropping point, °C	IP 396/DIN ISO 2176	≥240
Kinematic viscosity of the base oil @ 40°C, mm ² /s	ASTM D445	165

AVAILABLE PACKS

0.5 KG, 1 KG, 3 KG, 15 KG, 175 KG



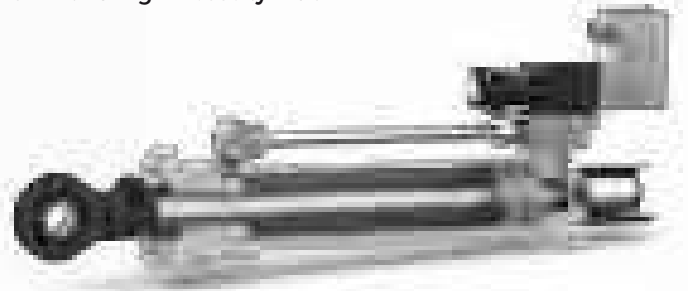
OSCAR Hydra XP

Industrial lubrication experts

Every industrial lubricant recommendation should be done after an expert consultation on the application in question. Only then the best lubricant can be selected. Oscar hydraulic oils series "HydraXP" are fitted to all your industrial applications

Oscar HydraXP series fitted to all your needs:

- HydraXP AW - high performance demulsifying AW/EP hydraulic and general lubricating oil
- HydraXP HLPD - high detergent HLPD/EP general lubricating and hydraulic oil with excellent corrosion protection
- HydraXP HVI - high performance emulsifying AW/EP hydraulic oil with a high Viscosity Index



• HydraXP AW - high performance demulsifying AW/EP hydraulic and general lubricating oil

DESCRIPTION

Oscar HydraXP AW series are general lubricating and hydraulic oils with good ageing resistance and additives to improve corrosion protection. Good viscosity temperature behavior, good wear protection, demulsifying, good air release, contain zinc.

APPLICATION

For all systems, even if thermally-stressed.

SPECIFICATIONS

DIN 51524 PART 2, CATEGORY HM
ISO 6743/4, CATEGORY HM
MAN 698, Denison HF0, HF1, HF2

Product name	Density at 15 °C, kg/m ³	Flash point Cleveland, °C	Kinematic viscosity at 40 °C, mm ² /s	Kinematic viscosity at 100 °C, mm ² /s	Viscosity index	Pour point, °C
Oscar HydraXP AW 10	856	178	10	2,6	96	-30
Oscar HydraXP AW 22	863	180	22	4,4	107	-27
Oscar HydraXP AW 32	876	205	32	5,5	109	-24
Oscar HydraXP AW 46	875	210	46	6,9	105	-24
Oscar HydraXP AW 68	881	224	68	8,8	100	-24
Oscar HydraXP AW 100	881	232	100	11,1	96	-18
Oscar HydraXP AW 150	887	224	150	14,5	94	-15



• HydraXP HLPD – high detergent HLPD/EP general lubricating and hydraulic oil with excellent corrosion protection

DESCRIPTION

Oscar HydraXP HLPD series are hydraulic fluids according to DIN 51 502 with outstanding corrosion protection, powerful cleaning and sludge transportation properties. Contain zinc as well as being detergent and dispersant. Used in a number of hydraulic systems as problem solvers, especially when standard oils cannot fulfil all the requirements.

APPLICATION

Oscar HydraXP HLPD 10: For machine tool spindles and bobbin bearings in the textile industry. Oscar HydraXP HLPD 22, 32, 68: Heavy-duty hydraulic oils with good corrosion protection up to continuous temperatures of 100 °C, for smaller gearboxes, especially when fitted with electromagnetic clutches. Oscar HydraXP HLPD 100: For larger gearboxes.

SPECIFICATIONS

Fulfil and surpass the minimum demands on HLPD hydraulic oils according to DIN 51 524-2. ISO 6743/4-HM with high DD performance.

Product name	Density at 15 °C, kg/m ³	Flash point Cleveland, °C	Kinematic viscosity at 40 °C, mm ² /s	Kinematic viscosity at 100 °C, mm ² /s	Viscosity index	Pour point, °C
Oscar HydraXP HLPD 2	807	75	2,2	-	-	-42
Oscar HydraXP HLPD 5	837	85	5	1,7	83	-36
Oscar HydraXP HLPD 10	852	166	10	2,6	91	-30
Oscar HydraXP HLPD 22	868	165	22	4,3	105	-30
Oscar HydraXP HLPD 32	875	210	32	5,4	102	-30
Oscar HydraXP HLPD 46	877	220	46	6,9	105	-27
Oscar HydraXP HLPD 68	881	225	68	8,9	105	-24
Oscar HydraXP HLPD 100	883	248	100	11,4	100	-18
Oscar HydraXP HLPD 150	889	250	150	14,8	98	-18
Oscar HydraXP HLPD 320	903	265	320	24,8	99	-12
Oscar HydraXP HLPD 460	907	297	460	31,0	95	-9



• HydraXP HVI – high performance emulsifying AW/EP hydraulic oil with a high Viscosity Index

DESCRIPTION

Oscar HydraXP HVI series are hydraulic lubricating oils (machine oils) with a high Viscosity Index and additives to improve ageing resistance, corrosion protection and wear protection. Mineral oil-base and containing zinc.

APPLICATION

Suitable for all hydraulic systems, especially when a high viscosity index is specified or if excess viscosity during start-ups or insufficient viscosity at operating temperatures is a problem. High VI provides multi-grade characteristics.

SPECIFICATIONS

HVLP hydraulic and general lubricating oils according to DIN 51 524-3. ISO 6743/4, HV ISO 11158, HV. Denison HFO, HF1, HF2

Product name	Density at 15 °C, kg/m ³	Flash point Cleveland, °C	Kinematic viscosity at 40 °C, mm ² /s	Kinematic viscosity at 100 °C, mm ² /s	Viscosity index	Pour point, °C
Oscar HydraXP HVI 15	859	180	15	3,8	151	-45
Oscar HydraXP HVI 32	871	178	32	6,3	152	-48
Oscar HydraXP HVI 46	879	186	46	8,1	149	-45
Oscar HydraXP HVI 68	882	210	68	11,0	154	-42

OSCAR GEM XP

Industrial lubrication experts

Every industrial lubricant recommendation should be done after an expert consultation on the application in question. Only then the best lubricant can be selected. Oscar industrial gear oils series "GemXP" are fitted to all your industrial applications

Oscar GemXP series fitted to all your needs:

- GemXP GSH - demulsifying general lubricating, spindle and hydraulic oil
- GemXP CLP - demulsifying high performance EP/AW gear oil and general lubricating oil
- GemXP CLPF - high performance EP/AW gear oil with MoS2 (black color)
- GemXP SYNTHETIC CLP - fully synthetic, high performance EP/AW gear oil based on polyalphaolefins (PAO)



• GemXP GSH - demulsifying general lubricating, spindle and hydraulic oil

DESCRIPTION

Oscar GemXP GSH series are spindle, hydraulic and general lubricating oils (machine oils) containing selected base oils and additives to improve ageing stability and corrosion protection.

APPLICATION

For thermally-stressed bearings and hydraulic systems with peak temperatures of approx 120 °C.

SPECIFICATIONS

All GemXP GSH products are DIN 51524-1 (HL) hydraulic oils and DIN 51517-2 (CL) general lubricating oils, based on mineral oils, demulsifying (water repellent) and free of zinc.

Product name	Density at 15 °C, kg/m ³	Flash point Cleveland, °C	Kinematic viscosity at 40 °C, mm ² /s	Kinematic viscosity at 100 °C, mm ² /s	Viscosity index	Pour point, °C
Oscar GemXp GSH 2	805	100	2,2	-	-	-27
Oscar GemXp GSH 5	837	120	4,6	1,6	106	-40
Oscar GemXp GSH 7	839	155	7,4	2,2	103	-27
Oscar GemXp GSH 10	851	174	10	2,6	93	-27
Oscar GemXp GSH 15	856	195	15	3,4	98	-27
Oscar GemXp GSH 22	865	210	22	4,2	94	-27
Oscar GemXp GSH 32	874	222	32	5,4	102	-24
Oscar GemXp GSH 46	874	228	46	6,8	101	-24
Oscar GemXp GSH 68	882	250	68	8,7	99	-18
Oscar GemXp GSH 100	881	248	100	11,2	97	-18
Oscar GemXp GSH 150	889	266	150	15,5	94	-15
Oscar GemXp GSH 220	893	280	220	18,8	95	-12
Oscar GemXp GSH 320	898	280	320	24,0	95	-12
Oscar GemXp GSH 460	904	315	460	30,4	95	-12
Oscar GemXp GSH 680	912	302	680	37,9	92	-12

• GemXP CLP – demulsifying high performance EP/AW gear oil and general lubricating oil

DESCRIPTION

Oscar GemXP CLP series are high performance, gear oils and general lubricating oils with good ageing stability and additives to improve corrosion protection (combat ferrous and nonferrous metal corrosion caused by moisture). Outstanding anti-wear characteristics – good EP/AW performance, excellent protection against scuffing and micro pitting, excellent FE8 roller bearing wear protection, good demulsifying properties, very good foaming suppression, zinc- and silicone oil-free.

APPLICATION

Oscar GemXP CLP oils fulfil and surpass the minimum requirements of lubricating oils. Universal gear oils for all industrial applications such as in bearings, knuckles, spur, bevel and worm drives and whenever the manufacturer recommends a Type CLP oil.

SPECIFICATIONS

CLP according to DIN 51 517: Part3 (2004), ISO 6743-6 : ISO 12925-1: CKC, CKD. US Steel 224, David Brown S1.53.10

Product name	Density at 15 °C, kg/m ³	Flash point Cleveland, °C	Kinematic viscosity at 40 °C, mm ² /s	Kinematic viscosity at 100 °C, mm ² /s	Viscosity index
Oscar GemXp CLP 68	886	236	68	8,7	99
Oscar GemXp CLP 100	890	240	100	11,2	98
Oscar GemXp CLP 150	894	250	150	14,5	94
Oscar GemXp CLP 220	896	260	220	18,9	96
Oscar GemXp CLP 320	900	255	320	24,0	95
Oscar GemXp CLP 460	901	270	460	30,4	95
Oscar GemXp CLP 680	918	270	680	36,8	88

• GemXP CLPF – high performance EP/AW gear oil with MoS₂ (black color)

DESCRIPTION

Oscar GemXP CLPF series are extreme pressure gearbox oils with synergetic chemical EP/AW additives and physical MoS₂-based solid lubricants. The MoS₂-based solid lubricants are physically effective and cover a wide range of temperatures in boundary friction conditions. They reduce friction and have a damping effect. Excellent wear protection in boundary friction conditions, good dirt suspension properties (detergent effect), low foaming, very good FE8 roller bearing wear protection as well as zinc- and silicone oil-free.

APPLICATION

For highly-stressed gearboxes operating at low speeds and high loads, even when subject to shock loading, for noise reduction and for the lubrication of spindles and gear-boxes in forging presses.

SPECIFICATIONS

Oscar GemXP CLPFF series of oils surpass the minimum requirements of CLPFD lubricating oils according to DIN 51 517, Part 3 (2004) together with DIN 51 502, ISO 6743-6 ISO 12925-1: CKC, CKD.

Product name	Density at 15 °C, kg/m ³	Flash point Cleveland, °C	Kinematic viscosity at 40 °C, mm ² /s	Kinematic viscosity at 100 °C, mm ² /s	Viscosity index	Pour point, °C
Oscar GemXp CLPF 100	891	240	100	11,2	98	-21
Oscar GemXp CLPF 220	901	260	220	18,8	95	-21
Oscar GemXp CLPF 320	900	255	320	24,0	95	-14
Oscar GemXp CLPF 460	911	270	460	30,4	95	-12
Oscar GemXp CLPF 680	922	270	680	36,8	88	-10
Oscar GemXp CLPF 1500	923	240	1,500	61,1	90	-12

• GemXP SYNTHETIC CLP – fully synthetic, high performance EP/AW gear oil based on polyalphaolefins (PAO)

DESCRIPTION

Oscar GemXP Synthetic CLP series are fully-synthetic gear and general lubricating oils with excellent thermal and ageing stability, very high viscosity index (shear-stable), out-standing low temperature characteristics, good cold flowing properties, very good air release, low foaming, good protection against micro pitting, good FE8 performance, zinc and silicone oil-free.

APPLICATION

For the lubrication of bearings and gearboxes which are subject to high thermal loads. Suitable for lubricated-for-life applications and in gearboxes with extended drain intervals. Miscible and compatible with mineral oils. Excellent low temperature characteristics, high, shear-stable viscosity index.

SPECIFICATIONS

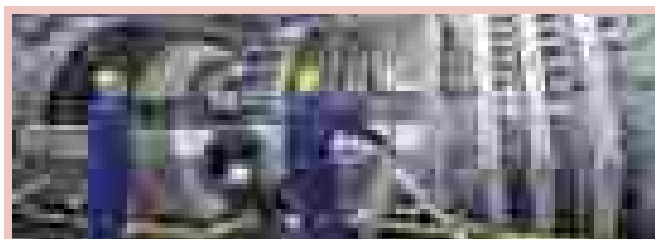
Oscar GemXP SYNTHETIC CLP series of oils surpass the minimum requirements of CLP-HC gear oils according to DIN 51 517, Part 3 together with DIN 51 502, ISO 6743-6 and ISO 12925-1: CKC, CKD, CKE, AISE 224, David Brown S1.53.101.

Product name	Density at 15 °C, kg/m ³	Flash point Cleveland, °C	Kinematic viscosity at 40 °C, mm ² /s	Kinematic viscosity at 100 °C, mm ² /s	Viscosity index	Pour point, °C
Oscar GemXp SYN CLP 68	848	240	68	10,7	147	-56
Oscar GemXp SYN CLP 100	851	250	100	14,5	150	-53
Oscar GemXp SYN CLP 150	853	250	150	19,6	150	-45
Oscar GemXp SYN CLP 220	854	260	220	26,7	155	-42
Oscar GemXp SYN CLP 320	860	260	320	35,0	155	-42
Oscar GemXp SYN CLP 460	861	300	460	45,6	155	-39
Oscar GemXp SYN CLP 680	862	300	680	62,2	160	-33
Oscar GemXp SYN CLP 1000	864	300	1,000	84,0	165	-27



OSCAR Turbine And Compressor Oil

Oscar Lubricants can offer the best Turbine and Compressor oil for your specific application.



• Oscar Turbine Oil

DESCRIPTION

Oscar Turbine 32, 46 & 68

APPLICATION

Turbine oils for gas and steam turbines, also with gearboxes and as a control fluid for turbine plants and turbo-compressors.

SPECIFICATIONS

L-TD and L-TG turbine oils acc. to DIN 51 515-1 and -2

Product name	Density at 15 °C, kg/m ³	Flash point Cleveland, °C	Kinematic viscosity at 40 °C, mm ² /s	Kinematic viscosity at 100 °C, mm ² /s	Viscosity index	Pour point, °C
Oscar Turbine 32	842	220	32	5,8	125	-25
Oscar Turbine 46	846	238	46	7,6	131	-25
Oscar Turbine 68	851	248	68	9,9	128	-25

• Oscar Compressor Oil

DESCRIPTION

Oscar Compressor Oil 32, 46, 68 & 100

APPLICATION

Turbine oils for gas and steam turbines, also with gearboxes and as a control fluid for turbine plants and turbo-compressors.

SPECIFICATIONS

VCL/VDL air compressor oils acc. to DIN 51 506

Product name	Density at 15 °C, kg/m ³	Flash point Cleveland, °C	Kinematic viscosity at 40 °C, mm ² /s	Kinematic viscosity at 100 °C, mm ² /s	Viscosity index	Pour point, °C
Oscar Compressor Oil 32	871	220	32	5,2	100	-25
Oscar Compressor Oil 46	875	236	46	7,2	117	-25
Oscar Compressor Oil 68	878	248	68	8,6	97	-25
Oscar Compressor Oil 100	881	250	100	11,0	94	-25

• Oscar SYN Compressor Oil

DESCRIPTION

Oscar SYN Compressor Oil 68, 100 & 150

APPLICATION

Fully-synthetic oils for all highly-stressed air compressors which require a VCL/VDL oil. For use in rotary, screwtype and vane-type compressors.

SPECIFICATIONS

VCL/VDL air compressor oils acc. to DIN 51 506 Synthetic PAO base stock

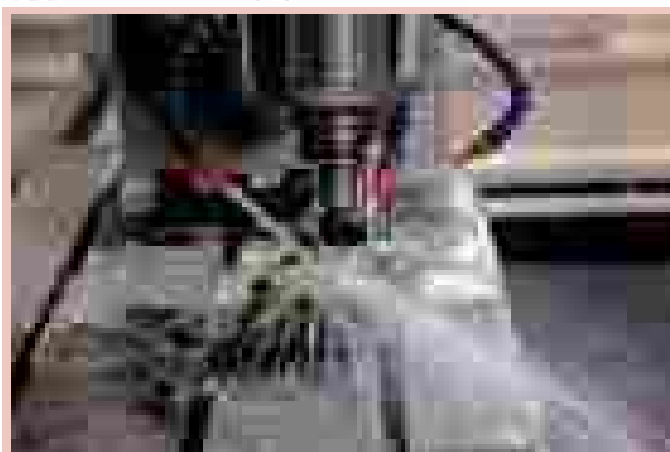
Product name	Density at 15 °C, kg/m ³	Flash point Cleveland, °C	Kinematic viscosity at 40 °C, mm ² /s	Kinematic viscosity at 100 °C, mm ² /s	Viscosity index	Pour point, °C
Oscar SYN Compressor Oil 68	845	265	68	10,6	144	-60
Oscar SYN Compressor Oil 100	845	250	100	14,4	148	-60
Oscar SYN Compressor Oil 150	849	250	150	19,4	148	-60

OSCAR SOLUBLE CUTTING FLUID

Oscar Soluble Cutting Fluid has been formulated to meet the requirements for the preparation of water soluble oils which will give stable milky emulsions in all types of water.

It is using an additive which is a blend of emulsifying agents, wetting agents, and rust inhibitors, together with solvent refined mineral oils. It also contains biocides and fungicide additives to give the finished soluble oils and long service life, prevent emulsion breakdown and spoilage.

It is an extremely versatile product for medium-cutting operations, provides all the lubrication and cooling properties necessary to ensure good work piece finish, and extended tool life. It is suitable on ferrous and non-ferrous metals in turning, milling, drilling, tapping, threading and cold sawing operations.



APPLICATION

It is an extremely versatile product for medium-cutting operations, provides all the lubrication and cooling properties necessary to ensure good work piece finish, and extended tool life. It is suitable on ferrous and non-ferrous metals in turning, milling, drilling, tapping, threading and cold sawing operations.

TYPICAL PROPERTIES

Test Parameters	ASTM Method	Typical Value
pH	-	9.50
Density @ 15C, kg/l	ASTM D1298	0.8912
Flash Point (COC), °C	ASTM D92	210
Viscosity @ 100C, cSt	ASTM D445	6.38
Viscosity @ 40C, cSt	ASTM D445	40.0
Viscosity Index	ASTM D2270	108
Pour Point, °C	ASTM D27	-6

A COMPLETE SOLUTION PROVIDER FOR MARINE AND POWER GENERATION SYSTEMS



LOW SPEED 2-STROKE MARINE ENGINES (MCL)

- OSCAR MCL 5070
- OSCAR MCL 5080
- OSCAR MCL 50100

LOW SPEED 2-STROKE MARINE ENGINES (SO)

- OSCAR SO 4005
- OSCAR SO 4006
- OSCAR SO 4007



MEDIUM SPEED 4-STROKE MARINE ENGINES (TPEO)

- OSCAR TPEO 3012
- OSCAR TPEO 3015
- OSCAR TPEO 4030
- OSCAR TPEO 4040



POWER GENERATION ENGINES (TPEO)

- OSCAR TPEO 3012
- OSCAR TPEO 3015
- OSCAR TPEO 4030
- OSCAR TPEO 4040



Oscar Lubricants L.L.C.

Head Office Address

Burj Khalifa District
Business Bay Square
BB11 - 302 Dubai
United Arab Emirates

Plant Address

New Industrial Area 1
Street 85, Building 15
P.O. Box 7546, Ajman
United Arab Emirates

Tel +971 6 7433354

Fax +971 6 7435449

info@oscarlubricants.com

www.oscarlubricants.com